

TECHNICAL MANUAL

**OPERATOR, ORGANIZATIONAL, DIRECT AND GENERAL
SUPPORT MAINTENANCE MANUAL**

**COMPRESSOR, AIR, RECIPROCATING
ELECTRIC MOTOR DRIVEN, RECEIVER MOUNTED,
5 CFM AT 175 PSI
CHAMPION PNEUMATIC MACHINERY CO., INC.
MODEL NO. HR2-6M-1
NSN 4310-01-040-7171**

**H E A D Q U A R T E R S , D E P A R T M E N T O F T H E A R M Y
3 0 N o v e m b e r 1 9 7 8**

WARNING

Death or severe injury to personnel or damage to property may result if personnel fail to observe safety precautions.

WARNING

Dry cleaning solvent, P-D-680, used to clean parts is potentially dangerous to personnel and property. Use in a well ventilated area as the fumes are dangerous if inhaled. Avoid repeated and prolonged skin contact. Do not use near open flame or excessive heat. Flash point of solvent is 100°F. -138°F. (38°C. -59°C.).

WARNING

Compressed air and electricity are dangerous. Before performing any maintenance or adjustments, be sure the electrical power has been turned off. Never depend on the ON-OFF switch. Turn power off at the source.

WARNING

Operation of this equipment presents a noise hazard to personnel in the area. The noise level exceeds the allowable limits for unprotected personnel. Wear ear muffs or ear plugs which were fitted by a trained professional.

TECHNICAL MANUAL }
 NO. 5-4310-356-14 }

HEADQUARTERS
 DEPARTMENT OF THE ARMY
 Washington, DC, 30 November 1978

**OPERATOR, ORGANIZATIONAL, DIRECT SUPPORT AND GENERAL
 SUPPORT MAINTENANCE MANUAL**

**Compressor, Air Reciprocating,
 Electric Motor Driven, Receiver Mounted,
 5 CFM at 175 PSI
 (Champion Pneumatic Machinery Company)
 Model No. HR 2-6M-1
 NSN 4310-01-040-7171**

REPORTING ERRORS AND RECOMMENDING IMPROVEMENTS

You can help improve this manual. If you find any mistake or if you know of a way to improve the procedures, please let us know. Mail your letter, DA Form 2028 (Recommended Changes to Publications and Blank Forms) or DA Form 2028-2 located in the back of this manual, directly to Commander, U.S. Army Troop Support and Aviation Materiel Readiness Command, ATTN: DRSTS-MTPS, 4300 Goodfellow Blvd., St. Louis, Missouri 63120. A reply will be furnished to you.

Table of Contents

		Paragraph	Page
CHAPTER 1.	INTRODUCTION		
Section I.	General	1-1	1-1
II.	Description and Data	1-6	1-2
CHAPTER 2.	OPERATING INSTRUCTIONS		
Section I.	Operating Procedures.....	2-1	2-1
II.	Operation Under Unusual Conditions.....	2-3	2-2
CHAPTER 3.	OPERATOR/CREW MAINTENANCE INSTRUCTIONS		
Section I.	Lubrication Instructions.....	3-1	3-1
II.	Preventive Maintenance Checks and Services	3-3	3-4
III.	Troubleshooting.....	3-6	3-5
IV.	Maintenance Procedures	3-7	3-7
CHAPTER 4.	ORGANIZATIONAL MAINTENANCE INSTRUCTIONS		
Section I.	Service Upon Receipt of Materiel	4-1	4-1
II.	Repair Parts, Special Tools, and Equipment.....	4-6	4-4
III.	Lubrication Instructions.....		4-4
IV.	Preventive Maintenance Checks and Services	4-8	4-4
V.	Troubleshooting.....	4-8	4-4
VI.	Maintenance of the Electric Motor and Compressor.....	4-12	4-6
CHAPTER 5.	DIRECT SUPPORT AND GENERAL SUPPORT MAINTENANCE INSTRUCTIONS		
Section I.	Repair Parts, Special Tools and Equipment.....	5-1	5-1
II.	Troubleshooting.....	5-3	5-1
III.	Repair and Overhaul Instructions, Air Compressor Assembly and Electric Motor	5-4	5-13
APPENDIX A.	REFERENCES.....		A-1
B.	COMPONENTS OF END ITEM LIST.....		B-1
C.	MAINTENANCE ALLOCATION CHART		C-1
D.	ADDITIONAL AUTHORIZATION LIST.....		D-1
INDEX			Index-1

LIST OF ILLUSTRATIONS

Number	Title	Page
1-1	Air compressor, right side view.....	1-3
1-2	Air compressor, left side view.....	1-4
1-3	Wiring diagram.....	1-6
3-1	Lubrication order (Sheet 1 of 2).....	3-2
3-1	Lubrication order (Sheet 2 of 2).....	3-3
3-2	Belt guard assembly.....	3-8
3-3	Air intake muffler.....	3-10
4-1	Shipping tie-downs.....	4-1
4-2	Air hose assembly, removal points.....	4-2
4-3	Magnetic starter (shown with cover removed).....	4-3
4-4	Electric motor and compressor assembly, removal and installation.....	4-6
4-5	Compressor components and V-belt drive.....	4-8
4-6	Compressor release valve assembly, removal and installation.....	4-9
4-7	Air receiver repair.....	4-10
4-8	Check valve exploded view.....	4-11
5-1	Magnetic starter (shown with cover removed).....	5-3
5-2	Magnetic starter assembly, exploded view.....	5-5
5-3	Electric motor assembly.....	5-6
5-4	Electric motor and compressor, cleaning, v-belt removal and installation.....	5-8
5-5	Pressure switch adjustment.....	5-10
5-6	Pressure switch assembly.....	5-11
5-7	Crankcase assembly, cylinders, manifolds and related components, exploded view.....	5-14
5-8	Compressor valve assemblies, disassembly and reassembly.....	5-15
5-9	Crankcase, crankshaft, pistons, connecting rods and related assemblies, exploded view.....	5-16
5-10	Electric motor assembly.....	5-20
5-11	Magnetic starter, removal and installation (shown with cover removed).....	5-22
5-12	Magnetic starter assembly, exploded view.....	5-23
5-13	Pressure switch assembly, removal and installation (shown with cover removed).....	5-24
5-14	Pressure switch assembly.....	5-25
5-15	Pressure switch adjusting and differential screws.....	5-25

CHAPTER 1 INTRODUCTION

Section I. GENERAL

1-1. Scope.

a. This manual is for your use in operating the air compressor, Model HR2-6M-1. It provides information on the operation, organizational, direct support, and general support maintenance of the air compressor, as well as a description of the main units and their functions in relation to the other components.

b. Appendix A contains a list of publications applicable to this manual. Appendix B contains the Maintenance Allocation Chart.

1-2. Maintenance Forms and Records.

Equipment maintenance forms and procedures for their use are contained in TM 38-750, The Army Maintenance Management System (TAMMS).

1-3. Reporting Equipment Improvement Recommendations (EIR).

EIR's will be prepared on DA Form 2407, Maintenance Request. Instructions for preparing EIR's are provided in TM 38-750, The Army Maintenance Management Systems. EIR's should be mailed directly to U.S. Army Troop Support and Aviation Materiel Readiness Command, ATTN: DRSTSMEM, 4300 Goodfellow Blvd., St. Louis, MO 63120. A reply will be furnished directly to you.

1-4. Destruction of Army Materiel To Prevent Enemy Use.

a. Demolition of Air Compressors. Methods of destruction should achieve such damage to equipment and repair parts that it will not be possible to restore the equipment to a usable condition in the combat zone either by repair or cannibalization.

(1) Mechanical Destruction. Using an axe, pick, mattock, sledge, or any other heavy implement, damage all vital elements.

(2) Explosives. Place 1/2-pound charges on the following for demolition with explosives.

(a) One 1/2-pound charge between the compressor and the air receiver tank.

(b) One 1/2-pound charge between the motor and the air receiver tank.

b. For additional data procedures for destruction of equipment to prevent enemy use, refer to TM 750-244-3.

1-5. Administrative Storage.

a. Storage Site.

(1) Select the best available site for administrative storage. Separate stored equipment from equipment in use. Conspicuously mark the area "Administrative Storage".

(2) Covered space is preferred. When sufficient covered space for all items to be stored is not available, priority should be given to items which are most susceptible to deterioration.

(3) Open sites should be improved hardstand, if available. Unimproved sites should be firm, well-drained, and kept free of excess vegetation.

b. Storage Plan.

(1) Store equipment so as to provide maximum protection from the elements and to provide access for inspection, maintenance, and exercising. Anticipate removal or deployment problems and take suitable precautions.

(2) Take into account environmental conditions, such as extreme heat or cold; high humidity; blowing sand, dust, or loose debris; soft ground; mud; heavy snows; earthquakes; or combinations thereof and take adequate precautions.

(3) Establish a fire plan and provide for adequate firefighting equipment and personnel.

(4) For further information, refer to TM 74090-1 (Administrative Storage).

Section II. DESCRIPTION AND DATA

1-6. Description.

a. The HR2-6M-1 (figs. 1-1 and 1-2) is a two cylinder, reciprocating type air compressor capable of delivering 5 cubic feet per minute (0.1415 cu meters per min). The compressor assembly and associated electric motor are mounted on a frame which is welded to the air receiver, and 60 gallon steel tank. The electric motor drives the compressor assembly by means of a matched pair of V-belts.

The pressure switch assembly determines cut-in and cut-out pressure for the compressor assembly. The switch can be adjusted for cut-out pressures over the

range of 165 to 190 psi (11.60 to 13.36 kgs per sq cm). The switch can also be adjusted for a 25 psi to 65 psi (1.76 to 4.57 kgs per sq cm) differential between cut-in and cut-out pressure. The safety valve assembly releases when air receiver pressure exceeds 200 psi (14.06 kgs per sq cm).

b. The maintenance paragraphs of this manual contain detailed descriptions of its components.

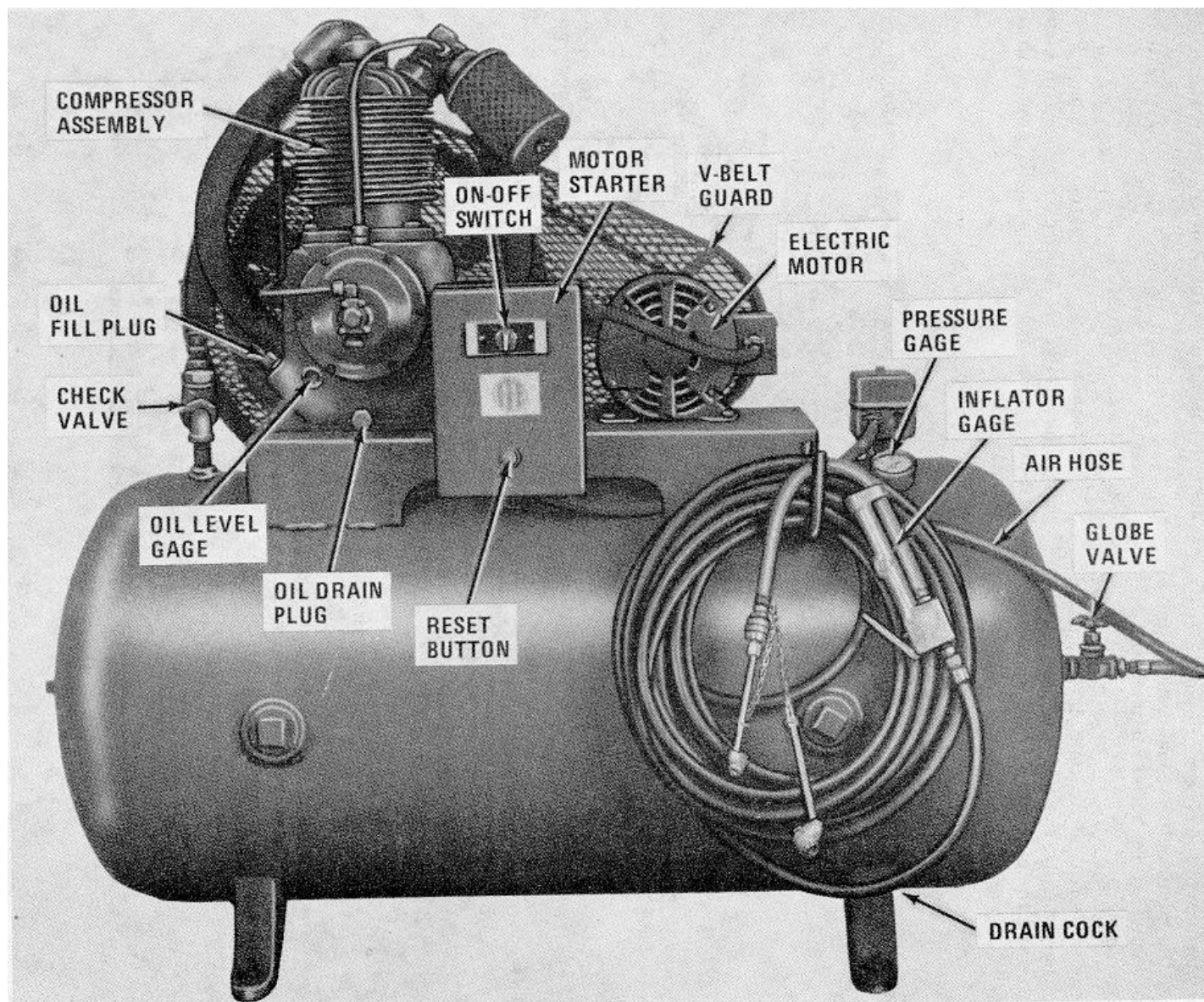


Figure 1-1. Air Compressor, right side view.

1-7. Identification.

a. Identification plate mounted on the top of the air receiver platform of the air compressor, specifies the name of the manufacturer, make, model number, date of manufacture, serial number, and National stock number.

b. The compressor identification plate mounted on the governor housing, specifies the name of the manufacturer and the model and serial numbers of the compressor.

c. The electric motor identification plate mounted on the electric motor housing, specifies the name of the manufacturer, model number, and data.

1-8. Differences in Models.

This manual covers only the Champion Pneumatic Model HR2-6M-1 air compressor. No known unit differences exist for the model covered in this manual.

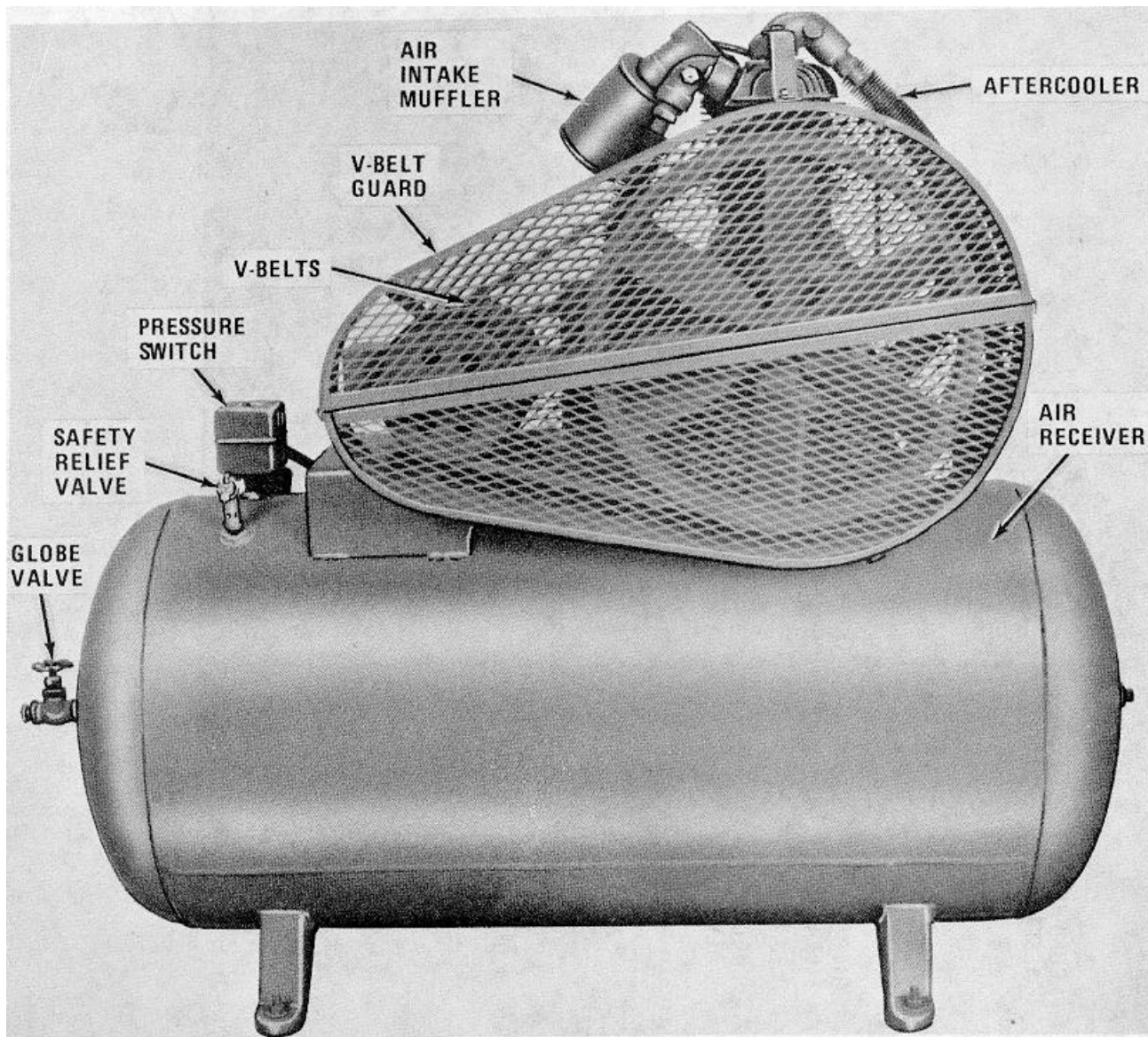


Figure 1-2. Air Compressor, left side view.

1-9. Tabulated Data.

a. General.

Manufacturer..... Champion Pneumatic Machinery Co.
 Model..... HR2-6M-1
 Output..... 5 cfm at 175 psi
 (0.14 cu m/minute at 12.30
 kgs per cm)

b. Electric Motor.

Manufacturer..... Lesson Electric Corporation
 Model..... C145T17DB10A
 Type..... TD
 Hertz..... 60
 Phase..... 3
 Horsepower..... 2
 Volts..... 230/460
 Duty..... Continuous
 Rated speed..... 1800
 Frame..... 145 T
 Temperature rise..... 104F(40C)
 Amperes:
 At 220 volts..... 6.2
 At 440 volts..... 3.1

c. Compressor.

Manufacturer..... Champion Pneumatic Machinery Co.
 Model..... R-10B
 Type..... 2-stage vertical

d. Compressor Air Cleaner.

Manufacturer..... Champion Pneumatic Machinery Co.
 Type..... Dry

e. Magnetic Starter Switch Assembly.

Manufacturer..... I-T-E Imperial Corporation
 Style..... A203C24C1

f. Pressure Switch.

Manufacturer..... Furnas Electric
 Type..... 69HA1
 Maximum pressure..... 250 psi
 (17.58 kgs per sq cm)
 Minimum differential..... 40 psi
 (2.81 kgs per sq cm)

g. Capacities.

Compressor crankcase..... 2 qt. (1.9L)
 Air receiver tank..... 8.02 cu ft. (0.23 cu m)

h. Air Receiver.

Manufacturer..... Buckeye
 Working pressure..... 200 psi (1406 kgs per sq cm)

i. Air Hose.

Size..... 5/16 in. x 50 ft.

j. Dimensions and Weight.

Shipping weight..... 520 lbs. (236 kg)
 Shipping cube..... 50 cu ft. (1.42 cu m)
 Length..... 51 in. (129.5 cm)
 Height..... 44 in. (111.8 cm)
 Width..... 23 in. (58.4 cm)
 Net Weight..... 405 lbs. (184 kg)

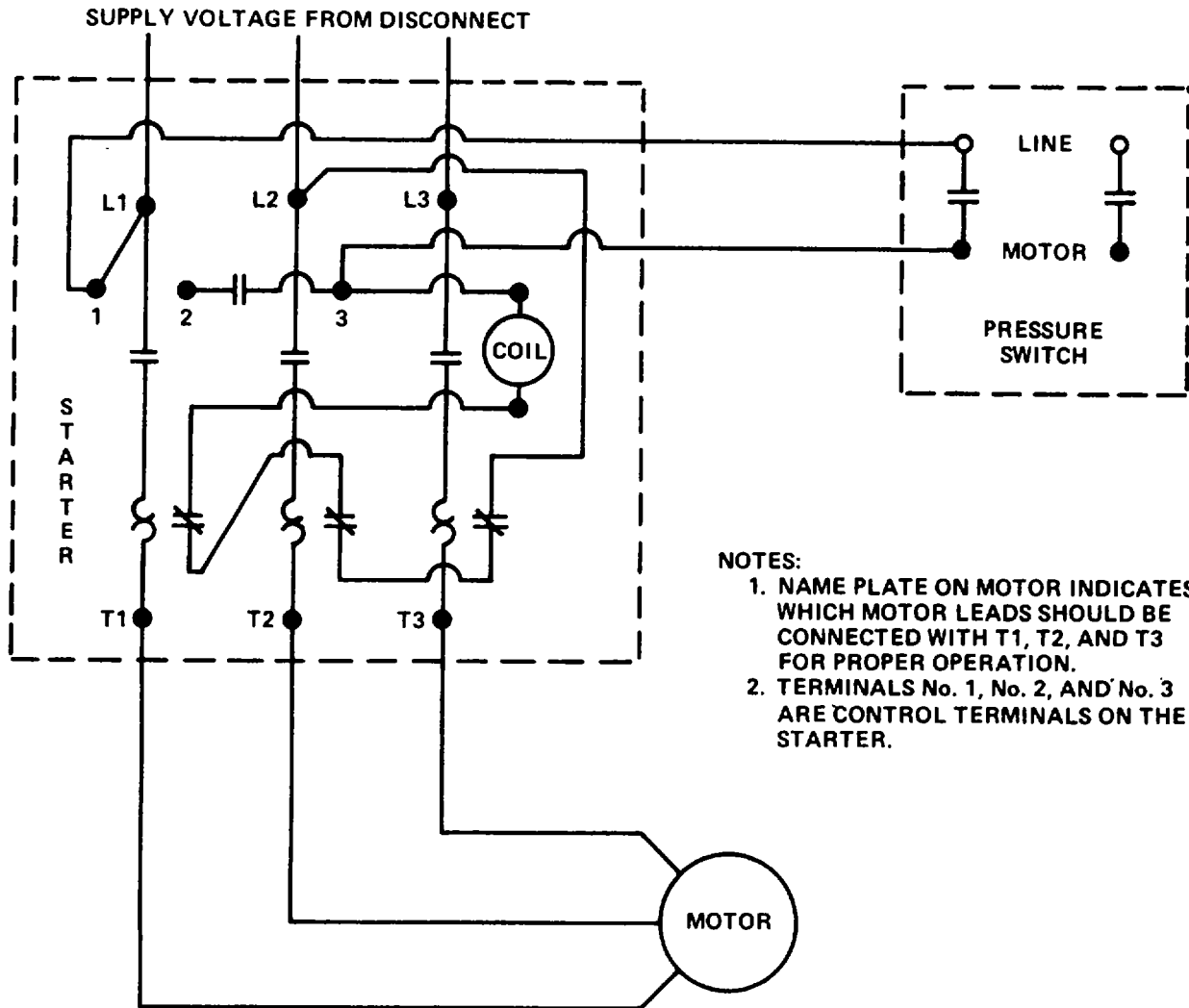


Figure 1-3. Wiring diagram.

CHAPTER 2 OPERATING INSTRUCTIONS

WARNING

If equipment fails to operate, refer to troubleshooting procedures in Chapter 3.

Section I. OPERATING PROCEDURES

2-1. Controls and Instruments.

a. General. This section describes, locates, illustrates and furnishes the operator sufficient information pertaining to the various controls and instruments provided for the proper operation of the air compressor.

b. Globe Valve. The globe valve (fig. 1-1) mounted on the end of the air receiver tank is a manually operated valve that opens the flow of compressed air to the air hose.

c. Drain Cock. The drain cock (fig. 1-1) mounted on the underside of the air receiver tank is a manually operated valve used to drain compressed air and condensation from the air receiver tank. Receiver should be drained daily when the air compressor is in use.

d. Oil Level Gage. The oil level gage (fig. 1-1) mounted in the compressor crankcase is a direct reading, glass covered gage used to check the level of the oil in the compressor crankcase.

e. Air Receiver Tank Pressure Gage. The air receiver tank pressure gage (fig. 1-1) mounted on the side of the air receiver tank, is a needle-indicating, direct-reading, pressure-operated gage graduated in pounds per square inch (psi) and kilograms per square centimeter (kgs per sq cm), the gage is graduated from 0 to 300 psi in increments of 5 psi, and from 0-21.1 kgs sq cm in increments of 50 centimeters. The gage indicates the air pressure in the air receiver tank. Normal operating pressure is 165 psi (11.60 kgs per sq cm) to 190 psi (13.36 kgs per sq cm).

f. Safety Relief Valve. The safety relief valve (fig. 1-2) is mounted on top of the air receiver tank at the motor end. It is a preset valve that is actuated when the air receiver tank receives a pressure of 200 psi (14.06 kgs per sq cm) or more. This valve can be

tripped manually by pulling up on the ring at the end. It is manually tripped to release pressure in the air receiver tank and to test the valve.

g. ON-OFF Starter Switch. The on-off starter switch (fig. 1-1) is a manually actuated switch located top center of the motor starter box cover. In OFF position the compressor motor will not operate. When the selector is turned to ON position the compressor will operate until pressure in air receiver tank reaches 190 psi (13.36 kgs per sq cm) then the pressure switch automatically shuts-off the motor. The compressor will recycle again automatically when pressure drops below 165 psi (11.60 kgs per sq cm) and continue to cycle automatically in this ON position.

h. Reset Button. The reset button (fig. 1-1) mounted on the cover of the magnetic starter, below the ON-OFF switch, is manually operated button, which when pushed, resets the thermal relay in the magnetic starter.

i. Pressure Switch. The pressure switch (fig. 12) is mounted on the top of the air receiver tank at the motor end. It automatically shuts off the motor when the pressure in the air receiver tank reaches 190 psi (13.36 kgs per sq cm). The pressure switch will automatically recycle the compressor when the pressure drops below 165 psi (11.60 kgs per sq cm).

j. Inflator Gage. The inflator gage (fig. 1-1) controls and indicates the amount of air being discharged.

2-2. Operation Under Usual Conditions.

a. General. The instructions in this section are published for the operation of the air compressor. It is essential that the operator know how to perform every operation of which the air compressor is capable. This section gives instructions on starting and stopping, and air-pressure adjustment.

b. Starting.

(1) Inspect the electric motor to make sure it is properly wired from incoming power source and that power is on.

(2) Turn ON-OFF switch (fig. 1-1) to "ON" position.

NOTE

Should the compressor fail to start, depress the reset button (fig. 1-1).

c. Stopping.

(1) Close globe valve (fig. 1-2).

(2) Turn ON-OFF switch (fig. 1-1) to "OFF" position.

(3) Open the drain cock (fig. 1-1) in the bottom of air receiver tank to release the compressed air and condensation from the air receiver tank.

Section II. OPERATION UNDER UNUSUAL CONDITIONS**2-3. Operation in Extreme Cold (Below 0°F.) (-18°C).**

a. Locate the air compressor in a shed or building whenever possible. If the unit is operated outdoors, protect it from prevailing winds and cover it with a tarpaulin when not in use.

b. Lubricate the air compressor according to the lubrication order.

c. Avoid excessive handling, kinking, and sharp bending of the air hose, which will become brittle at low temperature.

d. Clean and tighten all wiring connections. Make sure there are no short circuits. As wiring insulation tends to become brittle at low temperatures, avoid excessive handling and sharp bending of wires. Protect the electric motor and magnetic starter from snow and ice.

2-4. Operation in Extreme Heat.

a. Locate the air compressor in an operating area that is well ventilated or provide intake and exhaust fans to ventilate enclosed areas.

b. Lubricate the compressor in accordance with the lubrication order.

c. Check the drive-belt tension frequently. Improper drive-belt tension often results in overheating.

d. Keep the electric motor, compressor, and air receiver tank clean.

2-5. Operation in Dusty or Sandy Areas.

a. Lubricate the air compressor in accordance with the lubrication chart, making sure that all lubrication

points are free from dirt and sand before 2-2 applying lubricant. Keep all lubricant containers clean and tightly closed. Do not lubricate excessively as dirt and sand will adhere to excess lubricant and may work into moving parts. Wipe off all lubrication points after lubricating.

b. Keep the motor, magnetic starter, compressor, and air receiver tank free from accumulations of dirt and sand. Use compressed air for cleaning or a stiff brush where deposits are oily, gummy, or heavy.

c. Protect the air compressor from dust with screens, shelters built from tarpaulins, or other dustproof material. Keep the unit covered when not in use.

d. Clean the compressor air cleaner more often than when operating under normal conditions.

2-6. Operation in Salt Water or High Humidity Areas.

a. Protect the unit with a shelter of some kind. Keep the sides of the shelter open for ventilation.

b. Wipe the unit dry at frequent intervals, with particular emphasis on the electric motor and magnetic starter. If the unit becomes encrusted with salt, wash it with fresh water, taking care not to damage the electrical system with water.

c. Make sure all surfaces requiring lubrication are clean and dry before applying lubricant. Lubricate the unit in accordance with the lubrication order.

d. Coat exposed polished or machined metal surfaces with a suitable rust-proof material after first removing accumulations of rust.

e. Open the drain cock frequently to blow condensate from the air receiver tank.

CHAPTER 3 OPERATOR/CREW MAINTENANCE INSTRUCTIONS

Section I. LUBRICATION INSTRUCTIONS

3-1. General Instructions.

a. The electric motor used on the air compressor has been factory lubricated for its lifetime.

b. Check compressor crankcase oil level frequently, since excessive oil consumption is the principal method of determining compressors need for repairs.

3-2. Lubrication Instructions.

a. General. Keep all lubricants in closed

containers and store in a clean dry place away from external heat. Allow no dust, dirt, or other foreign material to mix with the lubricants. Keep all lubrication equipment clean.

b. Cleaning. Wipe lubricating points free of dirt. Clean lubrication points after lubricating to prevent accumulation of foreign matter.

c. Service. Service lubrication points at proper intervals as shown in LO 5-4310-356-12.

COMPRESSOR, AIR, TANK MOUNTED, ELECTRIC MOTOR DRIVEN,
5 CFM AT 175 PSI CHAMPION MODEL NO. HR2-6M-1

Intervals and related task-hour times are based on normal hours of operation. The task-hour time specified is the time you need to do all the services prescribed for a particular interval. Change the interval if your lubricants are contaminated or if you are operating the equipment under adverse operating conditions, including longer-than-usual operating hours.

You may extend the interval during periods of low activity, but you must take adequate preservation precautions.

Clean fittings before lubricating. Relubricate all areas exposed to water after amphibious operation. Lubricate points indicated by dotted arrow shaft on both sides of equipment. Clean parts with SOLVENT, dry cleaning, or with OIL, fuel, diesel. Dry before lubricating. Drain crankcases when HOT. Fill and check level. The lowest level of maintenance authorized to lubricate a point is indicated by one of the following: (c) operator/crew, or (O) organizational maintenance. You can improve this publication by calling attention to errors and by recommending improvements and by stating your reasons for the recommendations. Your letter or DA Form 2028 (Recommended Changes to Publications and Forms) should be mailed directly to Commander, U.S. Army Troop Support and Aviation Material Readiness Command, ATTN: DRSTS-MTPS, 4300 Goodfellow Blvd., St. Louis, MO 63120. A reply will be furnished directly to you.

*The time specified is the time required to perform all services at the particular interval.

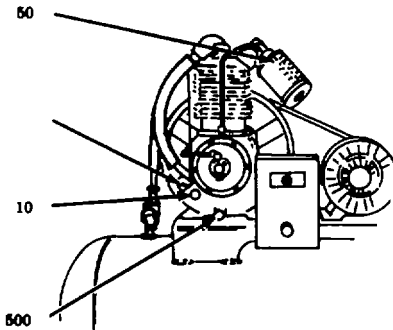
LUBRICANT • INTERVAL

Air Intake Muffler
Disassemble, Clean
and Reassemble

Oil Filler Cap OE/HDO
(See Key)

Oil level Sight
Gage (Check Level
and add oil
to full mark)

Oil Drain Cap
(Drain and Refill)
(See Note 1)



TOTAL TASK HOURS		*TOTAL TASK HOURS	
INTERVAL	TASK-HOURS	INTERVAL	TASK-HOURS
10	0.1		
50	0.25	500	0.5

Figure 3-1. Lubrication Order (Sheet 1 of 2).

-KEY-

LUBRICANTS	CAPACITY	EXPECTED TEMPERATURES			INTERVALS
		Above +32°F Above 0°C	+40°F to -10°F + 5°C to -23°C	0°F to-65°F -18°C to -50°C	
OE/HDO, Lubricating Oil, Engine, Crankcase MIL-L--204	2 Qt (1.9L)	10W30			Intervals given are in hours . of normal operation

NOTES:

1. CRANKCASE DRAIN. Remove plug and drain. Replace plug Refill crankcase with proper grade OE/HDO to full mark on oil sight gage.

Copy of this Lubrication Order will remain with the equipment at all times, instructions contained herein are mandatory.

BY ORDER OF THE SECRETARY OF THE ARMY.

BERNARD W. ROGERS
General, United States Army
Chief of Staff

2. LUBRICANTS. The following is a list of lubricants with the Military Symbols and applicable specification numbers.
OE/HDO MIL-1-2104

OFFICIAL:

PAUL T. SMITH
Major General, United States Army
The Adjutant General

Figure 3-1. Lubrication Order (Sheet 2 of 2).

Section II. PREVENTIVE MAINTENANCE CHECKS AND SERVICES

3-3. General.

To insure that the air compressor is ready for operation at all times, you must inspect it systematically so that defects may be discovered and corrected before they result in serious damage or failure. The necessary preventive maintenance services to be performed by you are listed in Table 3-1. The sequence number indicates the order in which you should perform the preventive maintenance checks and services. You shall

record all deficiencies together with the corrective action taken on DA Form 2404 (Equipment Inspection and Maintenance Worksheet).

3-4. Preventive Maintenance Checks and Services.

Refer to Table 3-1 for a listing of preventive maintenance checks and services which must be performed by the operator/crew.

Table 3-1. Operator/Crew Preventive Maintenance Checks and Services

NOTE										
Within designated interval, these checks are to be performed in the order listed.										
		B - Before D - During							A - After W - Weekly	M - Monthly
		Interval								
Item No.	B	D	A	W	M	C	Item to be Inspected	Procedures Check for and have repaired or adjusted as necessary	For Readiness Reporting. Equipment is Not Ready/ Available If:	
1	•	•	•				Compressor	Evidence of lubricant leaks.		
2	•						Oil level gage	Check oil level in crankcase, fill to full mark on oil level gage. Refer to LO 5-4310-356-12.		
3	•				•		Switches and controls	Check for loose wires on motor and switches.	Wires are disconnected.	
4	•				•		Drive belts broken belts.	Inspect for worn or	Belts are broken.	
5	•						Hoses and Fittings	Inspect hoses and fittings for damaged or loose connections.	Hoses are broken.	
6	•				•		Pressure gage	Watch pressure gage reading when motor starts and stops. Motor should stop when gage reads 190 psi and starts at 165 psi.	Pressure gage does not start and stop motor.	
7	•				•		Safety valve	Test by pulling up on ring attached to lever on safety valve until you hear air escape.	Safety does not actuate at 200 psi.	
8	•					•	Cleanliness of equipment	Wipe grease and oil from compressor belt guard, motor, V-belt and receiver.		

WARNING

Dry cleaning solvent, P-D-680, used to clean parts is potentially dangerous to personnel and property. Use in a well ventilated area as the fumes are dangerous if inhaled. Avoid repeated and prolonged skin contact. Do not use near open flame or excessive heat. Flash point of solvent is 100°F. -138°F. (38°C. -59°C.).

WARNING

Compressed air and electricity are dangerous. Before performing any maintenance, or adjustments, be sure the electrical power has been turned off. Never depend on the ON-OFF switch. Turn power off at the source.

Section III. TROUBLESHOOTING**3-5. Scope.**

This section contains troubleshooting or malfunction information and tests for locating and correcting most of the troubles which may develop in the air compressor. Each malfunction or trouble symptom for an individual component, unit, or system is followed by a list of tests or inspections necessary for you to determine probable causes and suggested corrective actions for you to remedy the malfunction.

3-6. Troubleshooting.

a. This manual cannot list all possible malfunctions that may occur or all tests or inspections, and corrective actions. If a malfunction is not listed or is not corrected by listed corrective actions, you should notify higher level maintenance.

b. Table 3-2 lists the common malfunction that you may find during the operation or maintenance of the air compressor or its components. You should perform the tests, inspections and corrective actions in the order listed.

Table 3-2. Troubleshooting

MALFUNCTION	TEST OR INSPECTION	CORRECTIVE ACTION
NOTE		
Before you use this table, be sure you have performed all applicable operating checks, table 3-1.		
1. COMPRESSOR PUMPING OIL	Step 1. Check for a clogged muffler intake filter.	Service the muffler intake filter (para 3-11).
	Step 2. Check oil level. The oil level gage mounted in the compressor (fig. 1-1) is a direct-reading, glass covered gage used to check the level of the oil in the crankcase.	If the oil level is low, remove the oil fill plug (fig. 1-1) and fill with OE/HD 10W 30 lubrication oil, to the full mark on the oil sight gage. Replace the fill plug.
2. KNOCKS OR RATTLES	Step 1. Check for loose, damaged belts or pulleys.	Notify organizational maintenance.
	Step 2. Check for leaking valves, or restricted air passages.	Notify organizational maintenance.
3. AIR DELIVERY DROPPING	Check for a clogged muffler intake filter.	Service the muffler intake filter (para 3-11).
4. EXCESSIVE STARTING AND STOPPING	Step 1. Check the receiver.	Drain the air receiver.
		<ul style="list-style-type: none"> a. Turn ON-OFF switch to OFF. b. Open drain cock at the bottom of the air receiver (fig. 3-3) under the service line. c. When the air has escaped, leave drain cock open for a few minutes for more of condensate to escape. d. Close drain cock. e. Be sure that cleaning material and tools have been removed from the air receiver. f. Move the ON-OFF switch to ON.
	Step 2. Check for air leaks in the piping.	<ul style="list-style-type: none"> a. Make a solution of soapy water. b. Apply to the fittings. If a leak is present it will be indicated by the soapy water bubbling. c. If a leak is found, notify organizational maintenance.
	Step 3. Pressure switch not set properly. (The pressure switch assembly determines cut-in and cut-out pressure for the compressor assembly. The switch can be adjusted for cut-out pressures over the range of 140 to 175 psi. The switch can also be adjusted for a 25 to 65 psi differential between cut-in and cut-out pressure. The safety valve assembly releases when the air receiver pressure exceeds 200 psi.)	If the pressure switch is not operating properly, notify Organizational Maintenance.
5. COMPRESSOR RUNNING HOT	Step 1. Check for blockage of air to fan wheel.	Remove any object that is blocking the air passage. Use compressed air to remove any accumulation of dust or dirt.
	Step 2. Check oil level.	Refer to paragraph 1, step 2, for checking oil level.

Table 3-2. Troubleshooting (Cont'd)

MALFUNCTION	TEST OR INSPECTION	CORRECTIVE ACTION
-------------	--------------------	-------------------

Step 3. Check for a clogged muffler intake filter.
Service the muffler intake filter (para 3-11).

6. COMPRESSOR RUNNING SLOW

Check motor terminal board for loose connections.

- a. **Tighten loose connections.**
- b. **Clean the terminal board with compressed air.**

NOTE

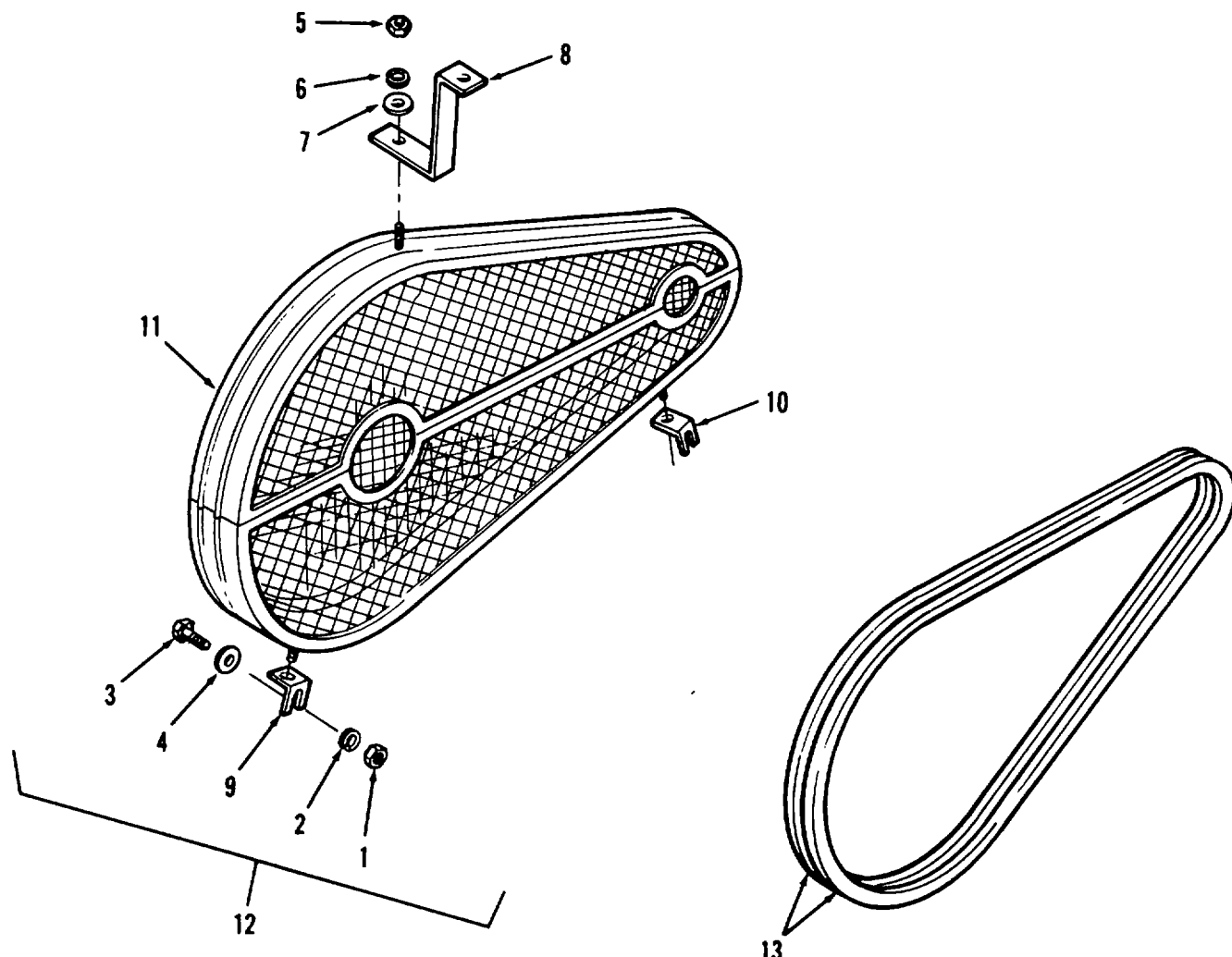
If you have a malfunction which is not listed in this table, notify the next higher level of maintenance.

Section IV. MAINTENANCE PROCEDURES

3-7. Belt Guard Assembly.

a. General. The belt guard assembly (fig. 3-2) is a two piece guard that totally encloses the drive belts and pulleys. The mesh screening covers the flywheel fan used to circulate air for cooling the compressor unit.

b. Inspection. Inspect the guard for damage to the screen or panels. Check for accumulation of grease, dirt, or foreign matter.



- 1. Nut, hex (2)
- 2. Lockwasher
- 3. Capscrew (2)
- 4. Washer, flat (2)
- 5. Nut, hex (3)
- 6. Lockwasher (3)
- 7. Washer, flat (3)

- 8. Bracket
- 9. Bracket
- 10. Bracket
- 11. Guard, belt
- 12. Belt guard assembly
- 13. V-belts

Figure 3-2. Belt guard assembly.

3-8. Motor.

a. Cleaning.

(1) Remove dust and dirt from the motor with compressed air.

(2) Use a rag which has been dampened in cleaning solvent, P-D-680, to wipe off the motor.

b. Inspection.

(1) Inspect the shaft for movement (end play).

(2) Notify organizational maintenance of a defective motor or shaft.

WARNING

Dry cleaning solvent, P-D-680, used to clean parts is potentially dangerous to personnel and property. Use in a well ventilated area as the fumes are dangerous if inhaled. Avoid repeated and prolonged skin contact. Do not use near open flame or excessive heat. Flash point of solvent is 100°F. -138°F. (38°C. -59°C.).

c. **Cleaning.** Clean the belt guard with a rag dipped in cleaning solvent, P-D-680, and dry thoroughly.

3-9. V-Belts.**a. Inspection.**

(1) Make a visual inspection of the belts to determine their conditions.

(2) If the belts are bad, notify organizational maintenance.

b. Cleaning.**WARNING**

Dry cleaning solvent, P-D-680, used to clean parts is potentially dangerous to personnel and property. Use in a well ventilated area as the fumes are dangerous if inhaled. Avoid repeated and prolonged skin contact. Do not use near open flame or excessive heat. Flash point of solvent is 100°F. -138°F. (38°C. -59°C.).

(1) Use a cloth dampened in cleaning solvent, P-D-680, to remove oil and dust from the belts.

(2) If the belts have become saturated with oil and dirt, notify organizational maintenance.

3-10. Air Compressor.

a. General. The compressor unit must be kept clean and lubricated at all times. If the compressor is allowed to become dirty it will run hot. Excessive heat will consume the compressor oil. Low oil causes the rings to wear, or cylinder scoring. Therefore, frequent inspections are necessary.

b. Inspection.

(1) Visually inspect relief valve signs of leaking.

(2) Check safety relief valve signs of leaking.

(3) Listen for excessive start-stop cycling.

(4) Listen carefully for a knock or rattle that might indicate internal damage.

(5) If any of the troubles listed in paragraphs 3, 4, and 5 are found, notify organizational maintenance.

3-11. Air Intake Muffler.

a. General. The air intake muffler is designed to clean the air entering the first stage cylinder. Should the operating area be exceptionally dusty, the muffler must be serviced more frequently. A clogged intake muffler reduces the efficiency of the compressor.

b. Cleaning and Inspection.**WARNING**

Dry cleaning solvent, P-D-680, used to clean parts is potentially dangerous to personnel and property. Use in a well ventilated area as the fumes are dangerous if inhaled. Avoid repeated and prolonged skin contact. Do not use near open flame or excessive heat. Flash point of solvent is 100°F. -138°F. (38°C. -59°C.).

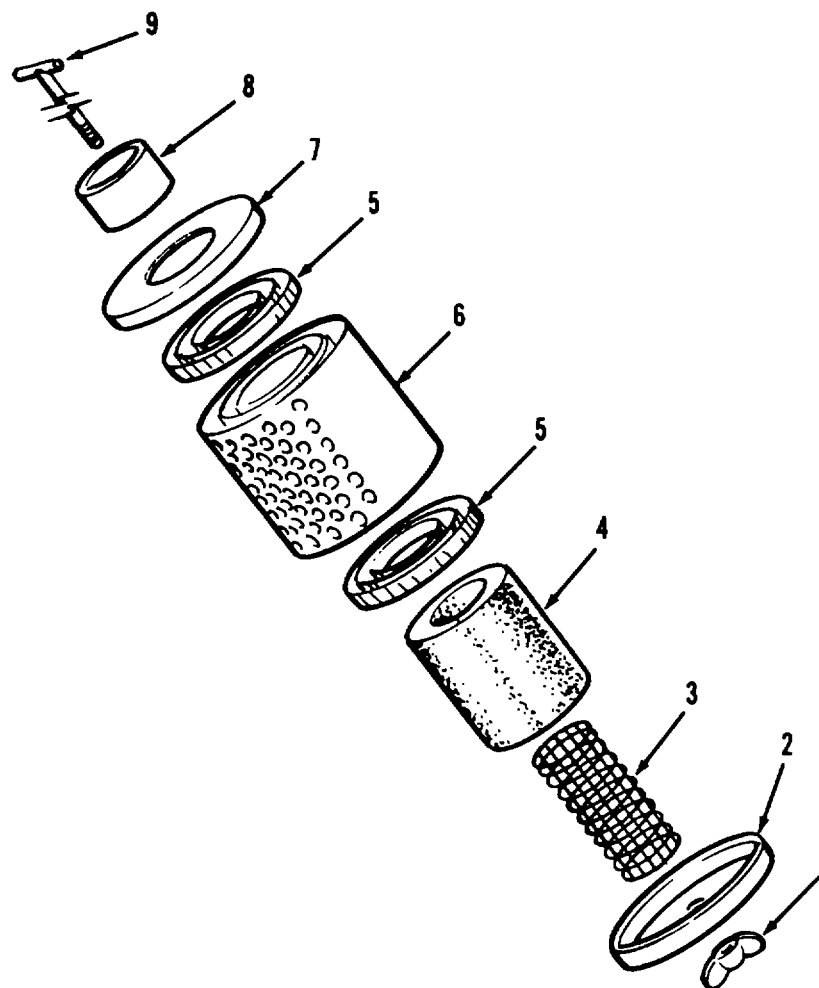
(1) Use a rag which has been dampened in cleaning solvent, P-D-680, to wipe off the filter muffler.

(2) Inspect the filter muffler for damage or missing parts. If damage or missing parts are found, notify organizational maintenance.

(3) Service the filter muffler as follows:

(a) Remove wingnut (1, fig. 3-4).

(b) Remove cover lower (2).



- 1. Nut, wing
- 2. Cover, lower
- 3. Screen
- 4. Element
- 5. Separator

- 6. Plate
- 7. Cover, upper
- 8. Ferrule
- 9. T-stud

Figure 3-3. Air intake muffler.

(c) Remove plate (6).

(d) Remove element (4).

(e) Remove screen (3).

(4) Reassemble the air filter muffler as follows:

(a) Install the screen (3, fig. 3-4).

(b) Install the plate on the T-stud (9).

(c) Install cover lower (2) on the T-stud and secure with wingnut (1).

3-12. Air Receiver.

a. General. The air receiver stores compressed air at a pressure between 165 and 190 psi, (11.60 and 13.36 kgs per sq cm). Compressed air, moving from

first stage to second stage of the compressor through the intercooler tube, then through the aftercooler tube to the air receiver tank, carries moisture (condensate) into the receiver. Frequent inspection and service is necessary.

b. Inspection.

(1) Inspect the receiver for excessive accumulation of dust, and leaking or spilled oil.

(2) Check air lines and the service line for leaks. Tighten loose connections.

c. Cleaning.

(1) Use compressed air to blow dust off the receiver.

WARNING

Dry cleaning solvent, P-D-680, used to clean parts is potentially dangerous to personnel and property. Use in a well ventilated area as the fumes are dangerous if inhaled. Avoid repeated and prolonged skin contact. Do not use near open flame or excessive heat. Flash point of solvent is 100°F. -138°F. (38°C. -59°C.).

(2) Use a rag which has been dampened with cleaning solvent, P-D-680, to remove all oil spots, then dry thoroughly, to avoid further accumulation.

d. Draining Condensate from Receiver.

- (1) Turn ON-OFF switch to OFF.
- (2) Open drain cock at bottom of the air receiver tank (fig. 3-2) under the service line.
- (3) When the air has escaped, leave drain cock open for a few minutes to allow more of condensate to escape.
- (4) Close drain cock.
- (5) Be sure that all rags, tools, etc., have been removed from the air receiver, then move the ONOFF switch to ON.

3-11/(3-12 blank)

CHAPTER 4 ORGANIZATIONAL MAINTENANCE INSTRUCTIONS

Section I. SERVICE UPON RECEIPT OF MATERIEL

4-1. Unloading the Air Compressor.

a. Remove tie-downs and blocking that secure the crate to carrier. Refer to figure 4-1.

b. A forklift truck, pipe rollers, or a suitable hoist must be used when removing the air compressor from the carrier. When using a hoist, center the lifting hook above the center of the crate; place slings about ten inches in from both ends of the crate, and lift the unit from the carrier.

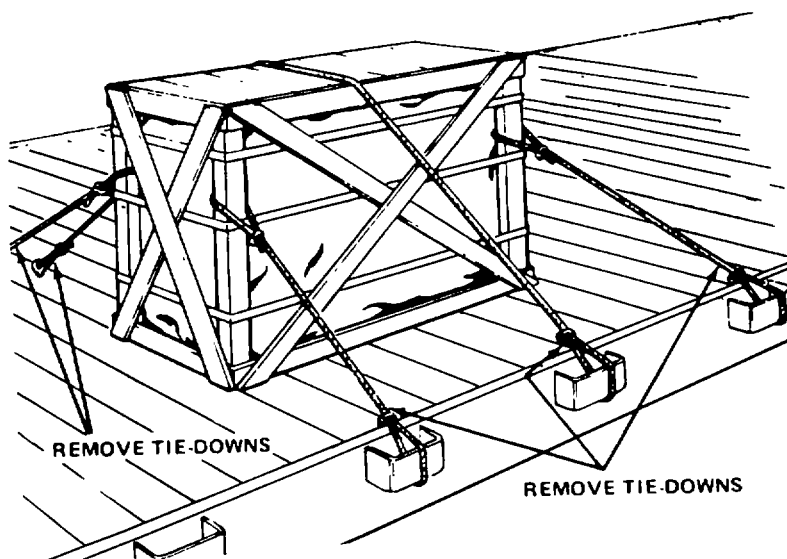


Figure 4-1. Shipping tie-downs.

4-2. Unpacking the Air Compressor.

a. Place the crated air compressor as closed to the point of installation as possible. Remove the crate from the base being careful not to damage the air compressor while removing the crate. Remove the air hose, electric cable, tire gage, and publications. Remove the compressor from the base.

b. Remove the tape and protective covering from electric motor, compressor, and air receiver tank.

4-3. Inspection and Servicing Equipment.

a. Make a thorough inspection of the air compressor for any loss or damage that may have occurred during shipping or handling.

b. Inspect for dents, breaks, loose mounting bolts or other defects. Inspect for loose connections, damaged wiring or other defects.

c. Turn over the electric motor and compressor several times to be sure the motor and compressor do not bind. Prepare a written report of all damage incurred as a result of shipping or vandalism. Report any unrepairable damage immediately to the proper authority.

4-4. Installation of Separately Packed Components.

Connect air hose (fig. 4-2) to globe valve assembly and connect inflator gage assembly to air hose.

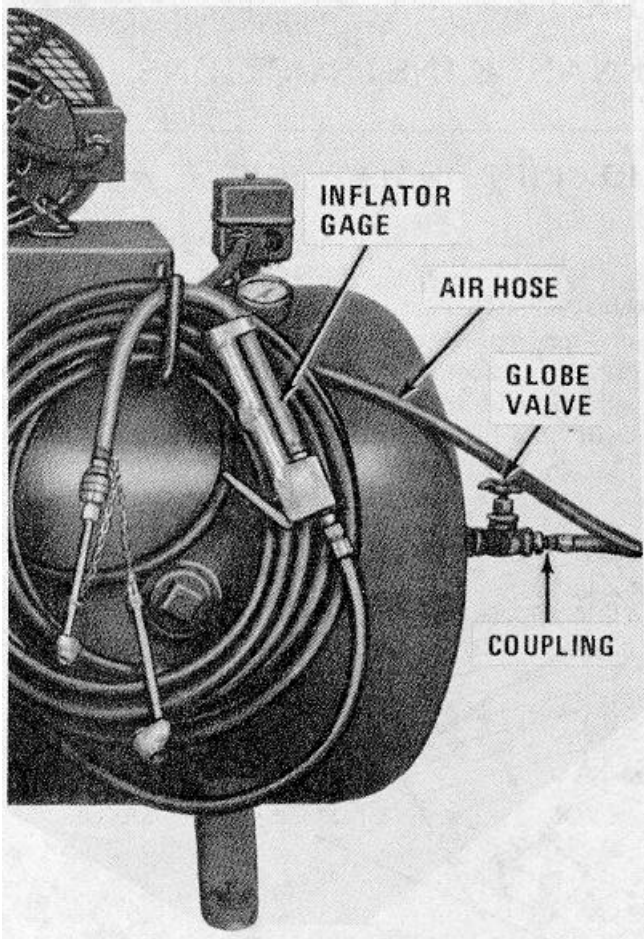


Figure 4-2. Air hose assembly, removal points.

4-5. Installation

a. Location and Leveling. Locate the air compressor as near to the electrical power source as possible. Avoid muddy, sandy or dusty locations if possible. If it is necessary to use the unit on soft ground, provide a suitable, level foundation of planking.

b. Grounding. The air compressor must be grounded prior to operation. The ground lead may be connected to an under-ground water system if the water system is constructed of metallic pipe. A ground may be fabricated from a metallic rod driven not less than 4 feet into the ground. The ground lead must be securely bolted or clamped to the water pipe or ground rod, and the feet or motor platform of the air receiver tank of the air compressor.

c. Connecting the Incoming Power Source.

(1) Remove the cover from the magnetic starter (fig. 4-3).

(2) Remove knockout plug from the starter box and insert the incoming power source wires through the opening.

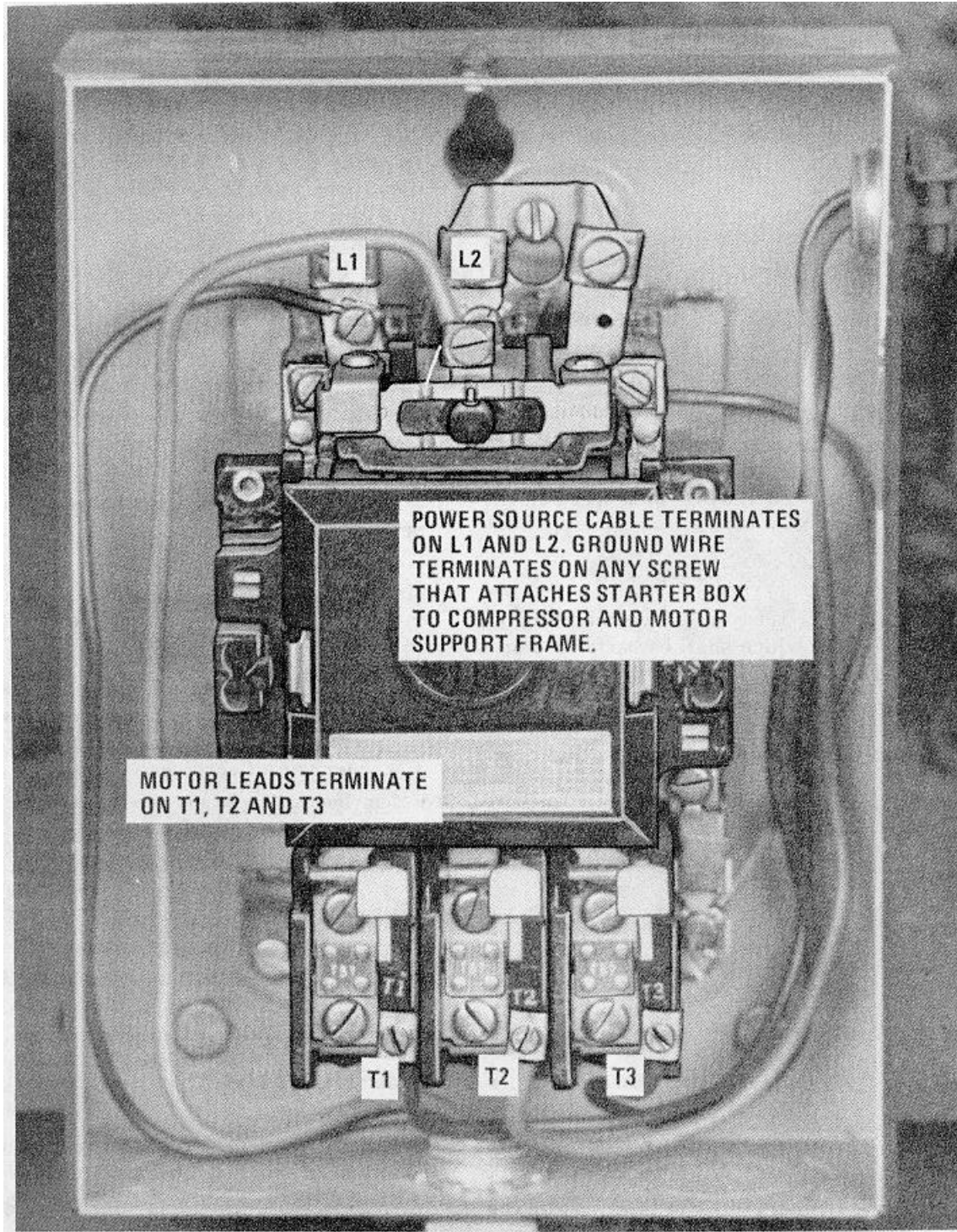


Figure 4-3. Magnetic starter (shown with cover removed).

WARNING

Be sure the incoming power lines are connected to disconnect switch that is locked in the OFF position before handling the wires.

(3) Insert the bare ends of the incoming power source wires in the L-1 power line connector and L-2 power line connector and tighten the terminal screws.

(4) Install cover on the magnetic starter.

Section II. REPAIR PARTS, SPECIAL TOOLS, AND EQUIPMENT

4-6. Special Tools and Equipment.

There are no special tools or equipment required to perform maintenance on the air compressor.

4-7. Maintenance Repair Parts.

Repair parts and equipment are listed and illustrated in TM 5-4310-356-24P, Organizational, Direct Support and General Support Maintenance Repair Parts and Special tools Lists.

Section III. LUBRICATION INSTRUCTIONS

Refer to Paragraph 3-2 for lubrication instruction for this air compressor.

Section IV. PREVENTIVE MAINTENANCE CHECKS AND SERVICES

Because all required inspections must be made daily, or more frequently, organizational maintenance personnel will refer to table 4-1, for procedures to be followed during their periodic inspection.

4-8. General.

This section lists the preventive maintenance checks and services which shall be performed on a monthly or quarterly basis by organizational maintenance personnel. It includes and expands upon the preventive maintenance services performed by operator/crew maintenance and includes additional services which are allocated to organizational maintenance.

4-9. Preventive Maintenance Checks and Services.

Refer to table 4-1 for a listing of the Preventive Maintenance checks and Services which are allocated to organizational maintenance.

NOTE

Use Tables 3-1 and 3-2 for preventive maintenance checks and services, then return to this Table for expansion of checks and services.

Table 4-1. Organizational Preventive Maintenance Checks and Services.

Item No.	Interval Q	Item To be Inspected	Procedures	Equipment Will be Reported not Ready (Red) if:
1	•	Compressor frame oil	Refer to LO-4310-356-12 for type, then drain and change oil.	
2	•	Capscrews, screws, and bolts	Check for tightness.	

Section V. TROUBLESHOOTING

4-10. Scope.

a. This section contains troubleshooting or malfunction information and tests for locating and correcting most of the troubles which may develop in the air compressor. Each malfunction or trouble symptom for an individual component, unit, or system is followed by a list of tests or inspections necessary for you to determine probable causes and suggested corrective actions for you to remedy the malfunction.

b. This manual cannot list all possible malfunctions that may occur or all tests or inspections, and corrective

actions. If a malfunction is not listed or is not corrected by listed corrective actions, you should notify higher level maintenance.

c. Only those functions which are solely within the scope of organizational maintenance are listed. For troubleshooting procedures which are within the scope of operator/crew maintenance, refer to paragraph 3-3.

4-11. Organizational Maintenance Troubleshooting Chart.

Refer to table 4-2 for troubleshooting which is allocated organizational maintenance levels.

Table 4-2. Troubleshooting

MALFUNCTION**TEST OR INSPECTION****CORRECTIVE ACTION****NOTE**

Before you use this table be sure you have performed all operating checks.

1. COMPRESSOR PUMPING OIL

Step 1. Check for a leaking release valve.

Refer to paragraph 4-16 and replace a leaking release valve.

Step 2. Check for a hot cylinder head. If one seems hotter than the other, there could be damage to the rings.

Notify direct support maintenance.

2. KNOCKS OR RATTLES

Step 1. Check for loose belt wheel or pulley.

Refer to figure 4-4 and replace the electric motor if the pulley is bad.

Step 2. Check for leaking release valve.

Refer to paragraph 4-16 and replace a leaking release valve.

3. AIR DELIVERY DROPPING

Step 1. Check for air leaks in piping.

a. Make a solution of soapy water.

b. Apply to the fittings, if a leak is present it will be indicated by the soapy water bubbling.

Refer to paragraph 4-18 and replace fittings if tightening does not stop the bubbles.

Step 2. Check for a leaking release valve.

Refer to paragraph 4-17 and replace a leaking valve.

Step 3. Check for restricted air passages, leaking or broken valve.

Notify Direct Support Maintenance.

4. MOTOR OVERLOAD RELAY TRIPS

Step 1. Check line voltage or motor terminals for loose connections.

Tighten loose connections.

Step 2. Check for defective starter heaters.

If a defective starter heater is found, notify Direct Support Maintenance.

5. EXCESSIVE STARTING OR STOPPING

Step 1. Check receiver for condensate.

Refer to paragraph 3-12 and drain the condensate.

Step 2. Check for air leaks in piping, or the receiver check valve leaking.

Repeat Step 1 in paragraph 3 above.

Step 3. Check for leaking, broken, or worn pressure switch (fig. 1-2).

Notify Direct Support Maintenance.

6. COMPRESSOR RUNNING HOT

Step 1. Check that air passage is not blocked at fan wheel.

Remove any foreign objects that may be blocking ventilation.

Step 2. Check for a leaking check valve.

Refer to paragraph 4-18 and replace a defective check valve.

7. COMPRESSOR RUNNING SLOW

Step 1. Check for low line voltage, or a defective motor starter heater.

Tighten loose connections. If the compressor still runs slowly, notify Direct Support Maintenance.

Step 2. Check for a leaking release valve.

Refer to paragraph 4-17 and replace a leaking release valve.

Section VI. MAINTENANCE OF THE ELECTRIC MOTOR AND COMPRESSOR

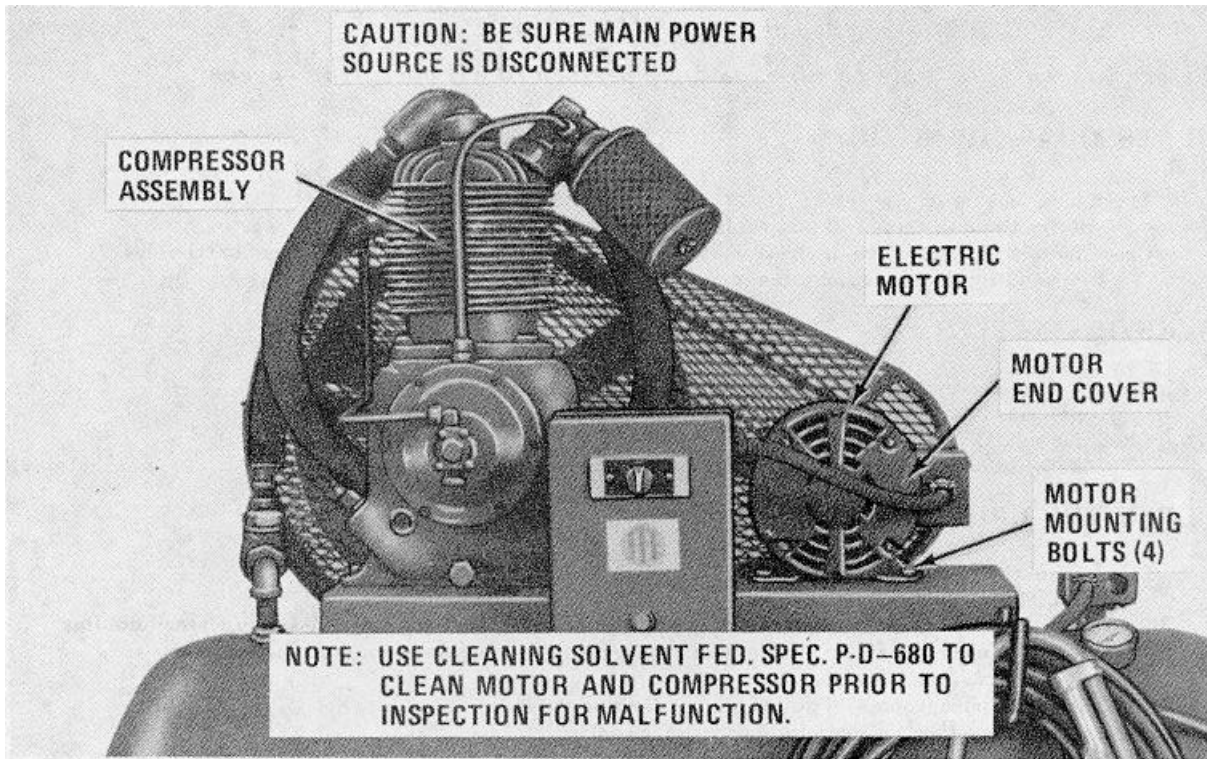


Figure 4-4. Electric motor and compressor assembly, removal and installation.

4-12. General.

The electric motor can be removed from the air receiver tank as a unit after removal of the V-belt guard, belts, and electrical leads have been disconnected. The air compressor assembly can be removed as a unit after the V-belt guard, belts and aftercooler tube are removed.

4-13. Electric Motor.

a. Removal. Refer to figure 4-4 and remove electric motor as follows:

CAUTION

Make sure main power source is disconnected.

- (1) Remove attaching hardware and remove V-belt guard.
- (2) Tag and disconnect electrical leads.
- (3) Remove motor mounting bolts.
- (4) Remove V-belts from motor pulley.
- (5) Remove electric motor assembly.

b. Installation. Refer to figure 4-4 and install electric motor as follows:

- (1) Place electric motor in position and loosely install mounting bolts.
- (2) Install and adjust V-belt tension as described in paragraph 4-14 below.
- (3) Install V-belt guard and tighten attaching hardware securely.
- (4) Connect electrical leads.

4-14. Compressor Assembly

a. Removal. Refer to figure 4-4 and remove the compressor assembly as follows:

- (1) Remove attaching hardware and remove V-belt guard.
- (2) Disconnect and remove aftercooler tube.
- (3) Remove compressor mounting bolts.
- (4) Remove V-belts from compressor flywheel and remove compressor assembly.

b. Installation. Refer to figure 4-4 and install the compressor assembly as follows:

(1) Position compressor assembly on tank and install mounting bolts after aligning flywheel with motor pulley and installing V-belts on pulleys.

(2) Tighten compressor mounting bolts.

(3) Install and connect aftercooler tube.

(4) Install V-belt guard and attaching hardware.

4-15. V-Belts

a. Inspection.

(1) Make a visual inspection of the belts to determine their condition.

(2) If the belts are worn, frayed, or bad, replace with a new set.

b. Cleaning.

WARNING

Dry cleaning solvent, P-D-680, used to clean parts is potentially dangerous to personnel and property. Use in a well ventilated area as the fumes are dangerous if inhaled. Avoid repeated and prolonged skin contact. Do not use near open flame or excessive heat. Flash point of solvent is 100°F. -138°F.(38°C. -59°C.).

(1) Use a cloth dampened in cleaning solvent, P-D-680, to remove oil and dust from the belts.

(2) If the belts have become saturated with oil and dirt, replace with a new set.

c. Removal. Refer to figure 4-5 and remove V-belts as follows:

(1) Remove attaching hardware and remove V-belt drive guard.

(2) Loosen motor mounting bolts and move

motor towards compressor to loosen V-belt tension.

(3) Remove V-belts.

d. Installation. Refer to figure 4-5 and install V-belts as follows:

(1) Install V-belts on compressor and motor pulleys.

(2) Move motor away from compressor increasing V-belt tension. Make sure pulleys are in correct alignment. Tighten motor mounting bolts slightly.

(3) Press on the V-belts with your fingers midway between the motor drive pulley and the compressor flywheel. Proper V-belt tension is when the belt deflection is no more than one-half inch.

(4) When proper belt tension is obtained tighten motor mounting bolts securely.

(5) Install V-belt drive guard and attaching hardware and tighten securely.

e. Adjustment.

(1) If necessary, adjust the tension as follows:

(a) Loosen motor mounting screws (fig. 45). It is not necessary to remove the mounting screws.

(b) Move the motor away from compressor until proper tension is obtained on the V-belts, para **d.** (3). Be sure pulleys are in correct alignment.

(c) Tighten motor mounting bolts to secure adjustment.

CAUTION

Do not adjust the V-belts too tightly as this will overload motor and compressor bearings. Also check and be sure motor pulley is square in relationship to the mounting base and flywheel to avoid binding and excessive wear of the V-belts.

(2) Install V-belt guard.

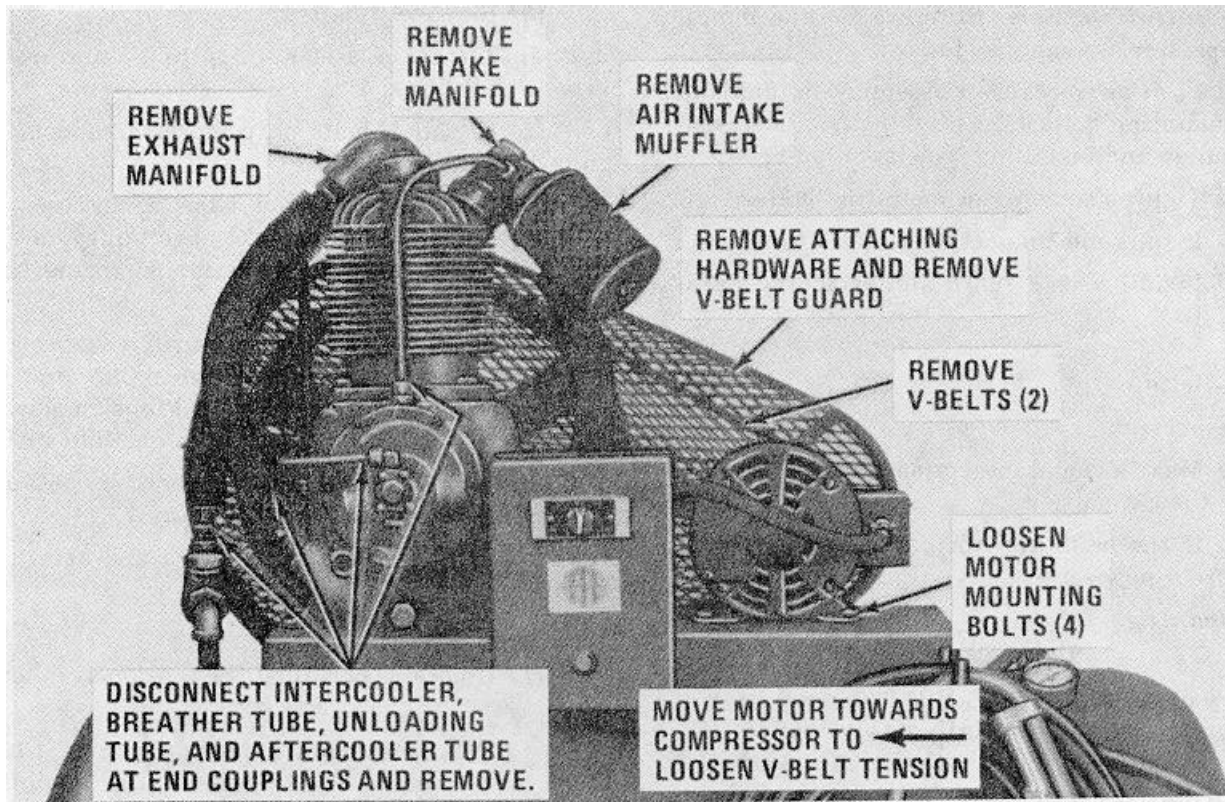


Figure 4-5. Compressor components and V belt drive.

4-16. Release Valve Assembly Replacement

a. Removal and Disassembly. Refer to figure 4-6 and remove and disassemble release valve assembly as follows: Remove release valve body (1, fig. 4-6), spring (2), ball (3), and plunger (4).

b. Cleaning, Inspection and Repair.

(1) Clean all parts and wipe dry with a lint free cloth.

(2) Check the spring (2) for disfiguration, or loss of tension. Replace a defective spring.

(3) Check ball (3), body (1), and plunger (4) for excessive wear, burred threads and general condition. Replace damaged or defective parts as necessary.

(4) Replace deteriorated gaskets.

c. Reassembly and Installation. Refer to figure 4-6 and reverse the disassembly and removal procedures.

4-17. Air Intake Muffler

a. Removal. Refer to figure 4-5 and remove air intake muffler as follows: Loosen set screw securing air intake muffler to intake manifold and remove intake muffler.

b. Cleaning. Refer to paragraph 3-9.

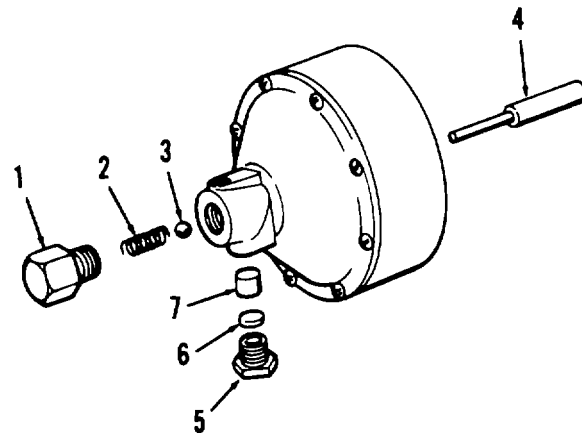
c. Installation. Install intake muffler on intake manifold as shown in figure 4-5 and secure by tightening setscrew.

4-18. Air Receiver Repair

a. Refer to figure 4-7 and remove the defective components by disassembling in numerical sequence as shown.

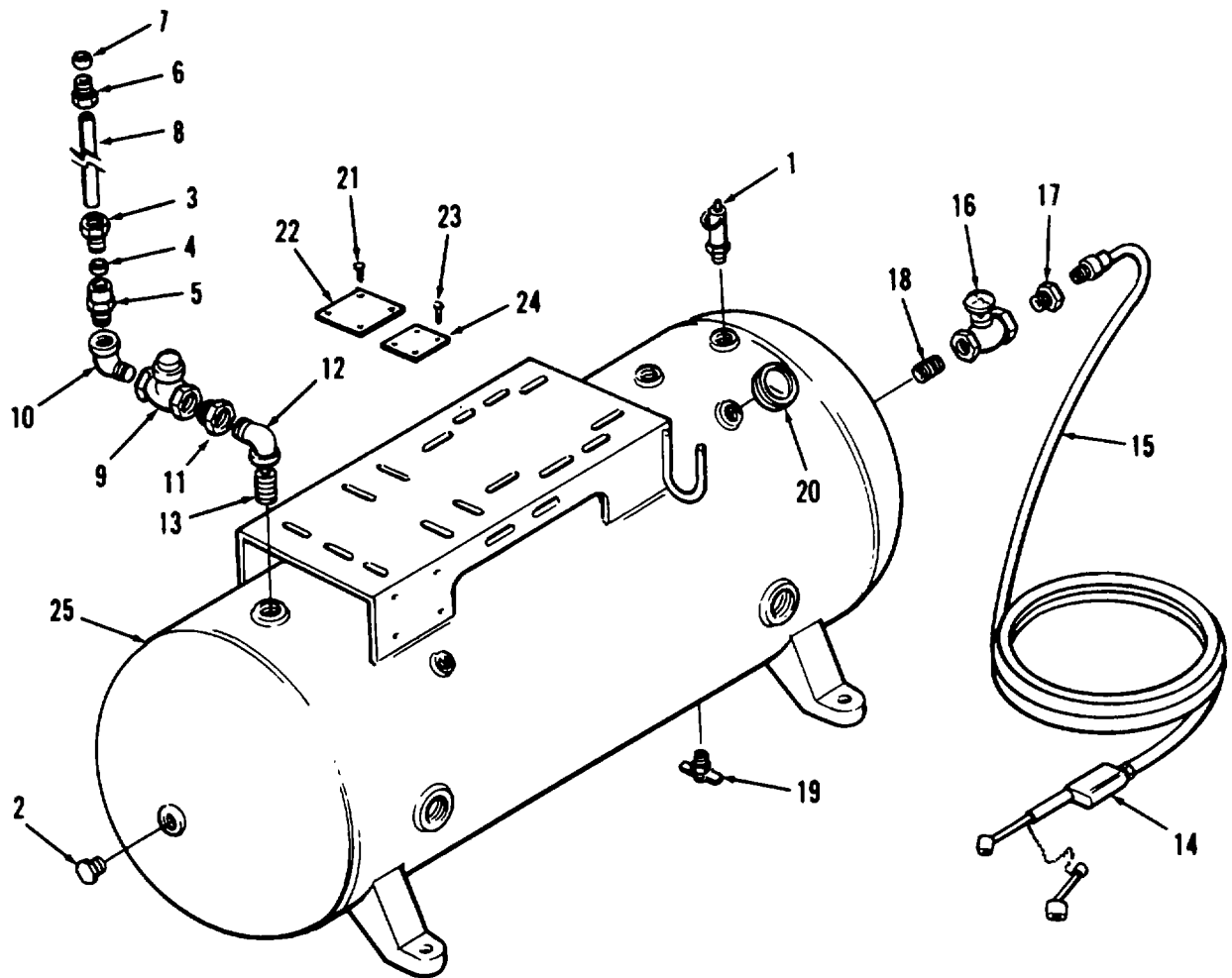
b. The check valve (9), can be disassembled for cleaning. Refer to figure 4-8 and disassemble following the numerical sequence. Reassemble in reverse order of the disassembly.

c. Replace defective or damaged components and reassemble and install in reverse order of their removal.



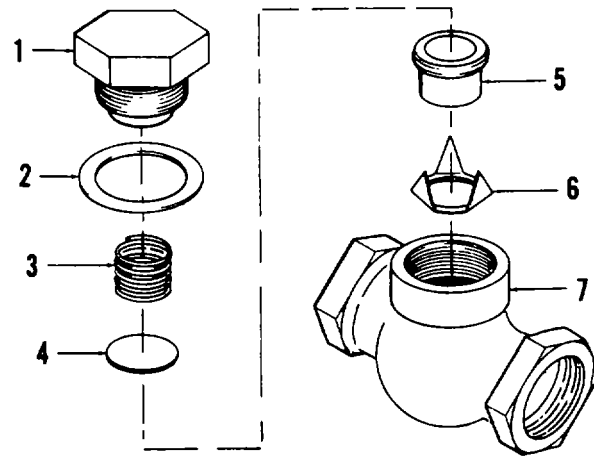
- | | |
|---------------------------|------------------|
| 1. Body, release valve | 5. Body, muffler |
| 2. Spring, release | 6. Screen |
| 3. Ball, release valve | 7. Felt |
| 4. Plunger, release valve | |

Figure 4-6. Compressor release value assembly, removal and installation.



- | | |
|--------------------------------|---------------------------|
| 1. Valve, safety | 14. Gage, infaltor |
| 2. Plug, pipe | 15. Air hose assembly |
| 3. Nut compression fitting | 16. Valve, globe |
| 4. Ferrule compression fitting | 17. Bushing, pipe |
| 5. Body, compression fitting | 18. Nipple, pipe |
| 6. Nut, compression fitting | 19. Cock, drain |
| 7. Ferrule, compress fitting | 20. Gage, pressure |
| 8. Tube, aftercooler | 21. Screw, drive |
| 9. Valve, check | 22. Plate, instruction |
| 10. Elbow, street | 23. Screw, drive |
| 11. Bushing, face | 24. Plate, identification |
| 12. Elbow, street | 25. Air receiver |
| 13. Nipple, pipe | |

Figure 4-7. Air receiver repair.



- 1. Cap
- 2. Gasket
- 3. Spring
- 4. Disc
- 5. Seat
- 6. Guide
- 7. Body

Figure 4-8. Check valve exploded view.

**CHAPTER 5
DIRECT SUPPORT AND GENERAL SUPPORT MAINTENANCE
INSTRUCTIONS**

Section I. REPAIR PARTS, SPECIAL TOOLS AND EQUIPMENT

5-1. Special Tools and Equipment.

There are no special tools or equipment required for maintenance of the air compressor assembly.

5-2. Maintenance Repair Parts.

Repair parts and equipment covering direct and general support maintenance of the air compressor assembly are listed and illustrated in TM 5-4310-356-24P.

Section II. TROUBLESHOOTING

5-3. Scope.

a. This section contains troubleshooting or malfunction information and tests for locating and correcting most of the troubles which may develop in the air compressor. Each malfunction or trouble symptom for an individual component, unit, or system is followed by a list of tests or inspections necessary for you to determine probable causes and suggested corrective actions for you to remedy the malfunction.

b. This manual cannot list all possible malfunctions that may occur or all tests or inspections and corrective actions. If a malfunction is not listed or is not corrected by listed corrective actions, you should notify higher level maintenance.

c. Table 5-1 lists the common malfunctions that you may find during the operation or maintenance of the air compressor or its components. You should perform the test, inspections and corrective actions in the order listed.

Table 5-1. Troubleshooting

MALFUNCTION
TEST OR INSPECTION
CORRECTIVE ACTION

NOTE

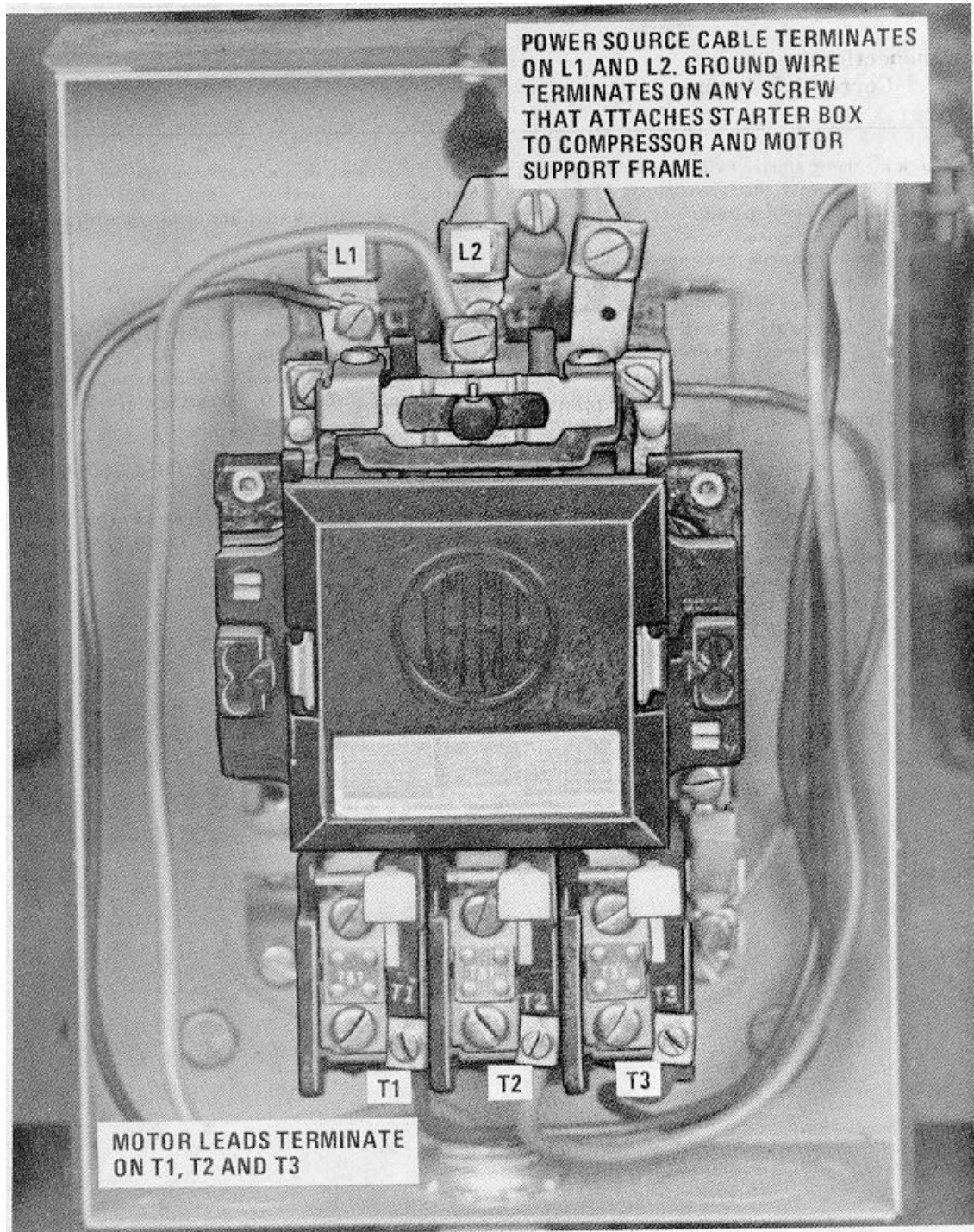
Before you use this table, be sure you have performed all applicable operating checks.

1. ELECTRIC MOTOR FAILS TO START OR FAILS TO RUN

Step 1. Check motor leads for proper connection in magnetic starter box. If motor leads are connected properly, proceed to Step 2. If leads are not connected properly, repair as follows:

- a. **Disconnect main power source.**
- b. **Remove screw from bottom of magnetic starter box cover and remove the cover.**
- c. **Look on the name plate on the motor to check the correct way the leads should be connected into the magnetic starter box.**
- d. **Use figure 5-1 as a guide and connect the terminal lead from the motor marked T1 to the screw marked T1 in the magnetic starter box. Follow the same procedure with terminals T2 and T3.**
- e. **Replace the magnetic starter box cover and replace the cover screw.**
- f. **Reconnect the main power source.**

Table 5-1. Troubleshooting (Cont'd)



- | | | | |
|--------------------|----------------------|---------------------|---------------------|
| 1. Nut (2) | 6. Connector (3) | 11. Connector | 16. Coil heater |
| 2. Lockwasher (2) | 7. Connector | 12. Cover cap | 17. Relay |
| 3. Flat washer (2) | 8. Flexible conduit | 13. Contact kit | 18. Interlock assy. |
| 4. Capscrew (2) | 9. Wire | 19. Selector switch | |
| 5. Wire | 10. Flexible conduit | 15. Coil | |

Figure 5-1. Magnetic starter (shown with cover removed).

Table 5-1. Troubleshooting (Cont'd)

MALFUNCTION**TEST OR INSPECTION****CORRECTIVE ACTION**

Step 2. Check magnetic starter switch to see if it is defective. Use compressed air and remove all dust or dirt from magnetic starter components, check continuity of heater coil, operating coil, relay overload, contact carrier and interlock assembly. Check on-off switch continuity and stem action. If the magnetic starter switch and on-off switch checks out, proceed to Step 3. If not, replace the magnetic switch as follows:

- a. Disconnect main power source.
- b. Remove screw from bottom of magnetic starter box cover and remove the cover.
- c. Tag and disconnect all wiring.
- d. Use figure 5-2 as a guide and disassemble the magnetic starter assembly as follows:

- (1) Remove connector (6) and (11) from the magnetic switch box.

- (2) Remove nut (1), lockwasher (2), flatwasher (3), and capscrew (4) and remove the control box.

- (3) Remove contact cap (12), contact kit (13), contact carrier (14), operating coil (15), coil heater (16), overload relay (17), and interlock assembly (18).

- (4) Replace any defective part.

- (5) Replace interlocking assembly (18), overload relay (17), coil heater (16), operating coil (15), contact carrier (14), contact kit (13), and contact cap (12).

- (6) Replace the magnetic control box with capscrew (4), flatwasher (3), lockwasher (2), and nut (1).

- (7) Replace connector (11) and (6) to the magnetic control box.

- e. Reconnect all wiring.
- f. Replace magnetic starter box cover and install capscrew.
- g. Connect main power source.

Table 5-1. Troubleshooting (Cont'd)

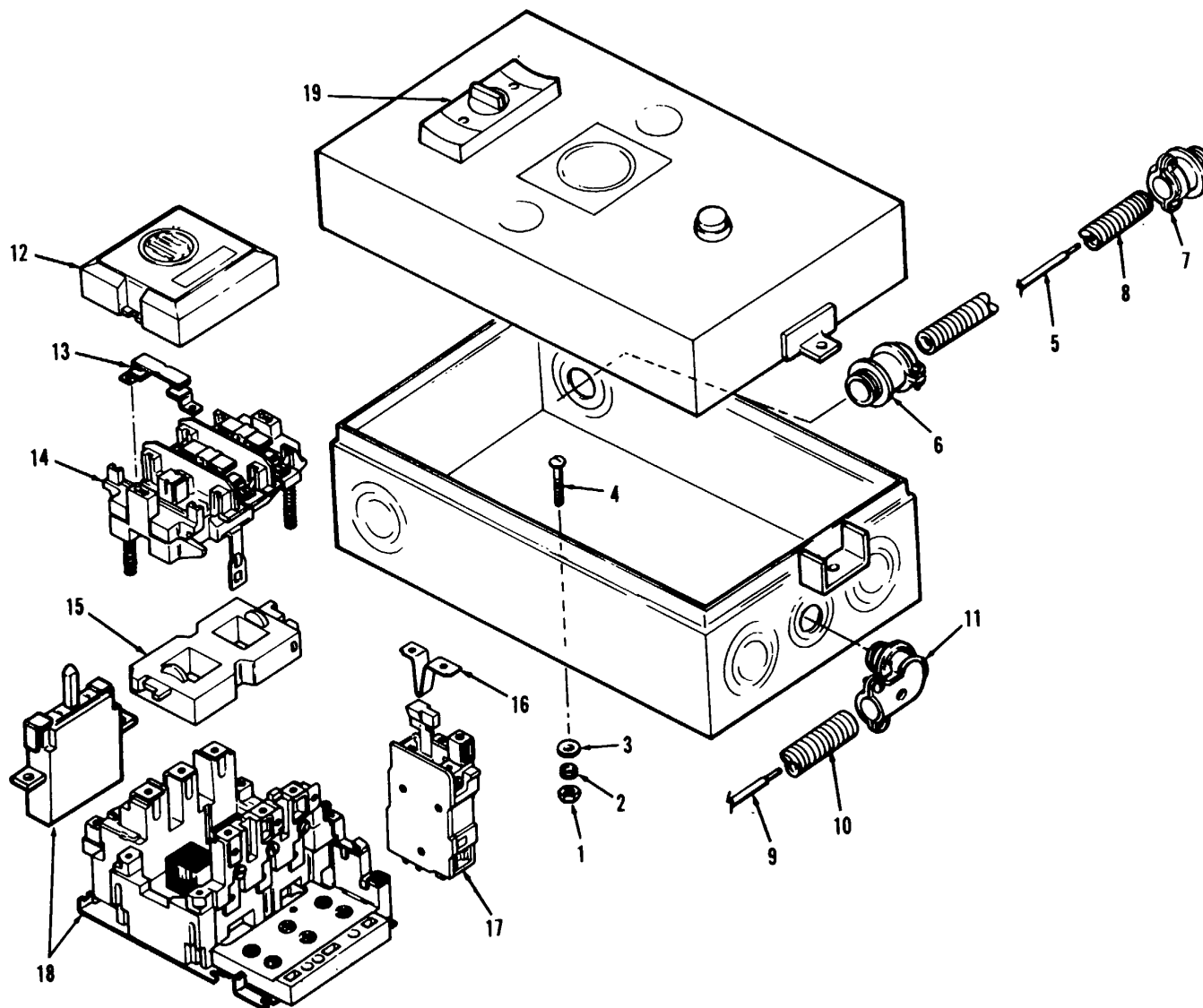


Figure 5-2. Magnetic starter assembly, exploded view.

Table 5-1. Troubleshooting (Cont'd)

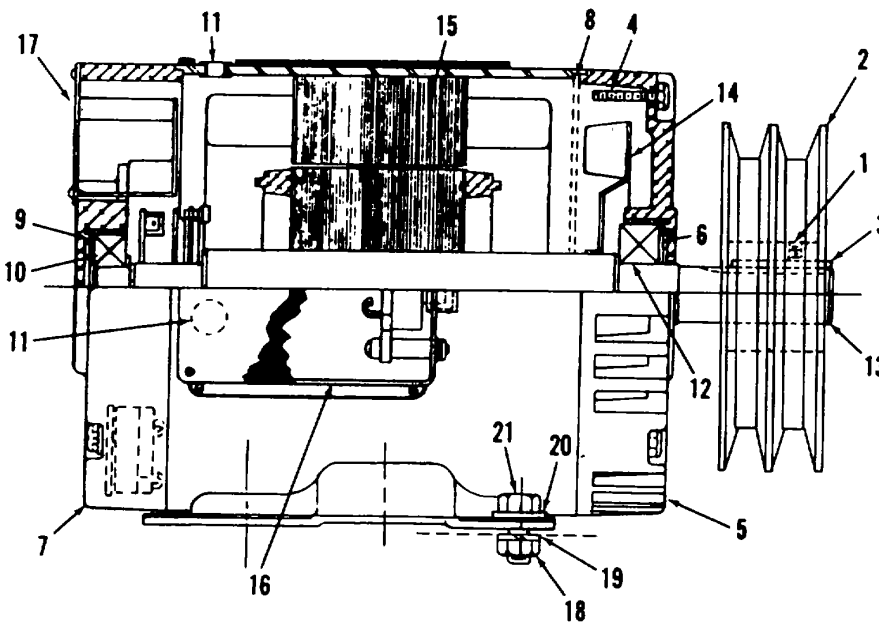
MALFUNCTION	TEST OR INSPECTION	CORRECTIVE ACTION
-------------	--------------------	-------------------

Step 3. Check for a defective motor. Connect leads from the motor direct to the power source. If motor fails to run remove, repair or replace.

- a. Disconnect main power source.
- b. Remove attaching hardware and remove V-belt guard.
- c. Loosen motor mounting bolts, slide motor towards compressor and remove V-belts.
- d. Tag and disconnect electric leads.
- e. Remove mounting bolts and remove the electric motor and disassemble using figure 5-3 as a guide.

(1) Remove setscrew (1), pulley (2) and key (3).

(2) Remove four bolts (4), rear endbell (5), spring (6), rear bearing (12), baffle (8), front endbell (7), shim (9), front bearing (10), fan (14), rotor and shaft (13), and stator (15).



- | | |
|----------------------|------------------------|
| 1. Set screw, socket | 12. Bearing, rear |
| 2. Pulley | 13. Rotor/shaft assy. |
| 3. Key | 14. Fan |
| 4. Bolt, thru (4) | 15. Frame/stator assy. |
| 5. End bell, rear | 16. Box conduit |
| 6. Spring, wavy | 17. Box, conduit cover |
| 7. Endbell, front | 18. Nut (4) |
| 8. Baffle | 19. Lockwasher (4) |
| 9. Shim | 20. Flat washer (4) |
| 10. Bearing, front | 21. Capscrew (4) |
| 11. Bushing | |

Figure 5-3. Electric motor assembly.

Table 5-1. Troubleshooting (Cont'd)

MALFUNCTION**TEST OR INSPECTION****CORRECTIVE ACTION****WARNING**

Dry cleaning solvent, P-D-680, used to clean parts is potentially dangerous to personnel and property. Use in a well ventilated area as the fumes are dangerous if inhaled. Do not use near open flame or excessive heat. Flash point of solvent is 100°F. -138°F.

(3) Clean all parts except rotor, bearings and stator in dry cleaning solvent P-D-680 and wipe dry with a lint free cloth.

(4) Use compressed air to clean dust and dirt off rotor, bearings, and stator, then wipe with a cloth dampened in dry cleaning solvent P-D-680.

(5) Inspect bearings and rotor shaft for excessive wear, and rough or scored surfaces. Use a file or emery cloth to smooth rough or scored surfaces. Replace defective bearings or a defective rotor shaft. If the motor is beyond repair, replace the motor.

(6) Replace stator (15) in frame. Replace rotor and shaft (13), fan (14), front bearing (10), shim (9), front endbell (10), baffle (8), rear bearing (12), spring (6), rear endbell (5), and four bolts (4).

(7) Replace key (3) in shaft, pulley (2) on shaft, and replace the setscrew (1).

f. Mount electric motor on compressor and replace mounting bolts.

g. Connect electrical leads.

h. Replace V-belts and slide motor away from compressor to tighten V-belts to proper tension. Tighten motor mounting bolts.

i. Replace V-belt guard and replace attaching hardware.

j. Reconnect main power source.

2. ELECTRIC MOTOR REVERSES

Check motor leads for proper connection in magnetic starter box. If motor leads are not connected properly, repair as follows:

a. Disconnect main power source.

b. Remove screw from bottom of magnetic starter box cover and remove the cover.

c. Look on the name plate on the motor to check the correct way the leads should be connected into the magnetic starter box.

d. Connect the terminal lead from the motor marked T1 to the screw marked T1 in the magnetic starter box. Follow the same procedure with terminal T2 and T3.

e. Replace the magnetic starter box and replace the cover screw.

f. Reconnect the main power source.

3. ELECTRIC MOTOR OVERHEATS

Step 1. Use a volt meter and check for low line voltage from power source.

If voltage is low from power source, connect to another power source.

Step 2. Check V-belts for out of alinement. Also make a visual inspection of belts and condition to determine if the belts require removal for cleaning and deglazing. If deglazing appears necessary, remove the lock belt guard.

a. Loosen motor mounting screws (fig. 5-4) securing motor to receiver. Move motor toward compressor, then lift belts off of the pulley .

Table 5-1. Troubleshooting (Cont'd)

MALFUNCTION	TEST OR INSPECTION	CORRECTIVE ACTION
-------------	--------------------	-------------------

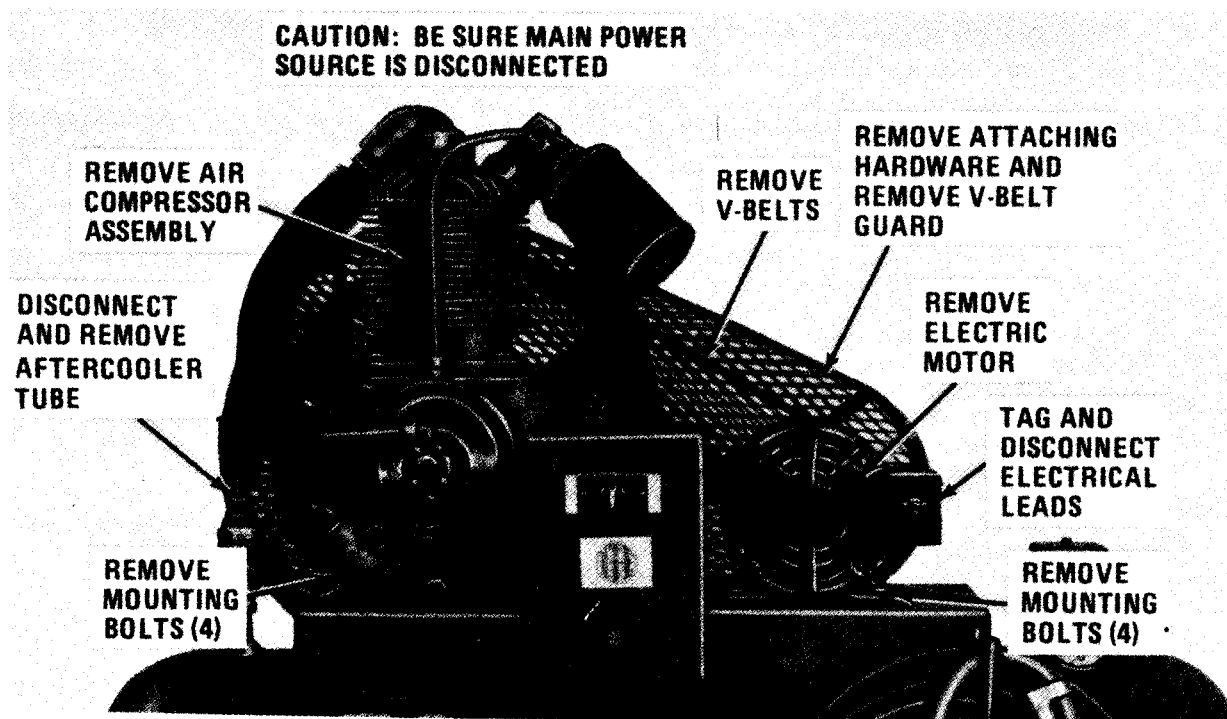


Figure 5-4. Electric motor and compressor, cleaning, V-belt removal and installation.

WARNING

Dry cleaning solvent, P-D-680, used to clean parts is potentially dangerous to personnel and property. Use in a well ventilated area as the fumes are dangerous if inhaled. Do not use near open flame or excessive heat. Flash point of solvent is 100°F. -138°F. (38°C. -59°C.).

b. Use a cloth dampened in dry cleaning solvent P-D-680 to remove oil and dust film. If the belts appear to have been saturated, and the heat has glazed the surfaces of the Vee's, proceed as follows:

c. Use a medium grade of grit paper (not emery cloth) and rough up the surfaces with strokes of uneven direction.

d. Wipe off all grit particles. When surfaces have been deglazed, install the belts on pulleys.

NOTE

When installing new belts, never pry the belts over the pulley grooves.

e. To adjust the belts, move the motor away from the compressor until there is tension on the V-belts. Depress one of the V-belts midway between the pulley and flywheel; when the top lines up with the bottom of the belt next to it under normal thumb pressure the tension is correct.

CAUTION

Do not adjust the V-belts too tightly as this will overload motor and compressor bearings. Also check and be sure pulley alinement is maintained.

Table 5-1. Troubleshooting (Cont'd)

MALFUNCTION	TEST OR INSPECTION	CORRECTIVE ACTION
Step 3. hose.	<p><i>f.</i> Tighten motor mounting bolts securely.</p> <p>Check electric motor, compressor cooling fins and belt guard for poor ventilation.</p>	<p>Remove any dirt, trash or other foreign matter away from the compressor with an air</p>
4. ELECTRIC MOTOR NOISY		
Step 1.	<p>Check to see if electric motor mounting bolts are loose.</p> <p>Tighten mounting bolts and check the belt tension.</p>	
Step 2.	<p>Electric motor bearings may be worn. If the noise is coming from inside the motor, disassemble the motor and determine if bearings are worn.</p> <p><i>a.</i> Disconnect main power source.</p> <p><i>b.</i> Remove attaching hardware and remove V-belt guard.</p> <p><i>c.</i> Loosen motor mounting bolts, slide motor forward towards compressor and remove V-belts.</p> <p><i>d.</i> Tag and disconnect electric leads.</p> <p><i>e.</i> Remove mounting bolts and remove the electric motor and disassemble using figure 5-3 as a guide.</p> <p>(1) Remove setscrew (1), pulley (2), and key (3).</p> <p>(2) Remove four bolts (4), rear endbell (5), spring (6), rear bearing (12), baffle (8), front endbell (7), shim (9), front bearing (19), fan (14), rotor and shaft (13), and stator (15).</p>	
WARNING		
<p>Dry cleaning solvent P-D-680, used to clean parts is potentially dangerous to personnel and property. Use in a well ventilated area as the fumes are dangerous if inhaled. Do not use near open flame or excessive heat. Flash point of solvent is 100°F. -138°F. (380C. -59°C.).</p>		
<p>(3) Clean all parts except rotor, bearings and stator in dry cleaning solvent P-D-680 and wipe dry with a lint free cloth.</p> <p>(4) Use compressed air to clean dust and dirt off rotor, bearings, and stator, then wipe with a cloth dampened in dry cleaning solvent P-D-680.</p> <p>(5) Inspect bearings for excessive wear. Replace defective bearings.</p> <p>(6) Replace stator (15) in frame. Replace rotor and shaft (13), fan (14), front bearing (10), shim (9), front endbell (10), baffle (8), rear bearing (12), spring (6), rear endbell (5), and four bolts (4).</p> <p>(7) Replace key (3) in shaft, pulley (2) on shaft, and replace the setscrew (1).</p> <p><i>f.</i> Mount electric motor on compressor and replace mounting bolts.</p> <p><i>g.</i> Connect electrical leads.</p> <p><i>h.</i> To adjust the belts, move the motor away from the compressor until there is tension on the V-belts. Depress one of the V-belts midway between the pulley and flywheel; when the top lines up with the bottom of the belt next to it under normal thumb pressure the tension is correct.</p>		
CAUTION		
<p>Do not adjust the V-belts too tightly as this will overload motor and compressor bearings. Also check and be sure pulley alignment is maintained.</p>		
<p><i>i.</i> Tighten motor mounting bolts securely.</p>		
5. ELECTRIC MOTOR DOES NOT CUT IN AT 165 PSI (11.60 kgs), AND CUT OUT AT 190 PSI (13.36kgs).		
Step 1.	<p>Check incoming power source for disconnection. Connect air compressor to incoming power source.</p>	
Step 2.	<p>Check pressure switch for proper setting.</p> <p><i>a.</i> Start the air compressor to determine adjustment. The pressure switch is preset by manufacturer at 165 psi (11.60 kgs) CUT-IN, and 190 psi (13.36 kgs) CUT-OUT setting. If</p>	

Table 5-1. Troubleshooting (Cont'd)

MALFUNCTION**TEST OR INSPECTION****CORRECTIVE ACTION**

adjustment is necessary shut off the outside power source.

- b. Remove cover from pressure switch.
- c. To raise the CUT-IN and CUT-OUT pressure turn the pressure adjusting screw clockwise (fig. 6-5).
- d. To decrease the difference between the CUT-IN and CUT-OUT pressure, turn the differential screw counterclockwise (fig. 5-5).

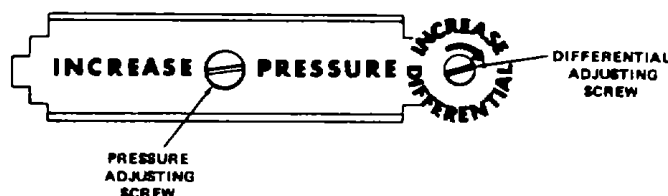


Figure 5-5. Pressure switch adjustment.

CAUTION

When adjusting the differential screw, do not turn it farther than it will turn easily.

- e. To increase the differential and maintain the same CUT-OUT pressure, turn the differential screw clockwise and, at the same time, the pressure adjusting screw counterclockwise.

NOTE

If the differential is increased only by turning the differential screw clockwise, and CUT-IN pressure changes only slightly, and the CUT-OUT pressure rises.

- f. Turn on the outside power to check the adjustment. To check the CUT-IN pressure, open the drain cock and allow air pressure to fall below 165 psi (11.60 kgs). Close the drain cock and the compressor should start immediately.
- g. Install the cover on the pressure switch.

Step 3.

Check for defective pressure switch. If adjustment as outlined in Step 2 above does not help, repair or replace the pressure switch.

- a. Shut off outside power source.
- b. Tag and disconnect all electrical leads.
- c. Unscrew switch assembly from air receiver.

WARNING

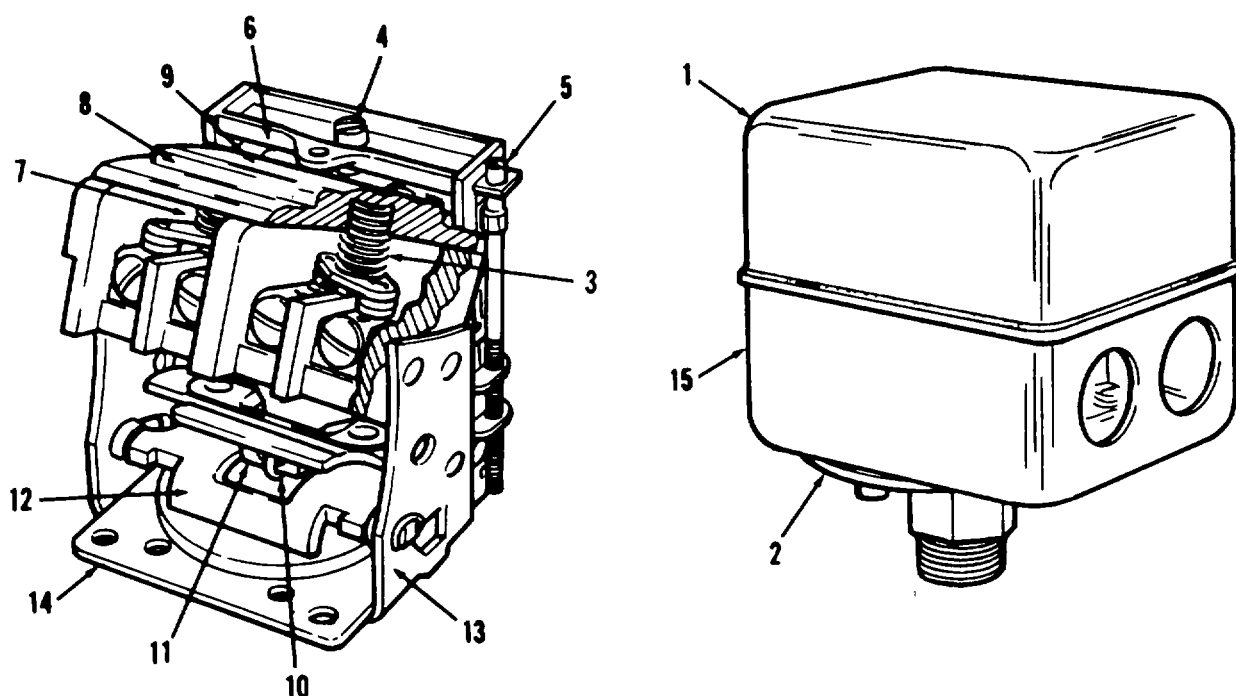
Dry cleaning solvent P-D-680, used to clean parts, is potentially dangerous to personnel and property. Use in a well ventilated area as the fumes are dangerous if inhaled. Do not use near open flame or excessive heat. Flash point of solvent is 100°F. -138°F. (38°C. -59°C.).

- d. Use compressed air and remove all dust and dirt from pressure switch components, then wipe with a cloth dampened in an approved cleaning solvent.
- e. Using figure 5-6 as a guide, disassemble the pressure switch assembly.
- f. Remove the cover (1), pressure adjusting screw (4), differential adjusting screw and nut (5), top bar (6), spring equalizer (8), main spring (9), conical spring (3), contact board assembly (7), toggle spring (10), toggle (11), lever (12), plate diaphragm (13), diaphragm (2), frame assembly (14), and enclosures (15).
- g. Inspect the contact board contacts (7) for pitting or burning. Use sand paper to remove pitting or burning.

Table 5-1. Troubleshooting (Cont'd)

MALFUNCTION	TEST OR INSPECTION	CORRECTIVE ACTION
-------------	--------------------	-------------------

- h.* Inspect diaphragm (2) for cracks or breaks and general condition.
- i.* Inspect all threaded parts for damaged or defective threads.
- j.* Replace damaged or defective parts as necessary.
- k.* Reassemble the pressure switch starting with the enclosure (15) then frame assembly (14), diaphragm (2), plate diaphragm (13), lever (12), toggle (1), toggle spring (10), contact board assembly (7), conical spring (3), main spring (9), spring equalizer (8), top bar (6), differential adjusting screw and nut (5), pressure adjusting screw (4), and cover (1).
- l.* Install pressure switch assembly on air receiver.
- m.* Connect all electrical wiring.
- n.* Turn on outside power source.



- | | |
|--|----------------------|
| 1. Cover, enclosure | 9. Spring, main |
| 2. Diaphragm | 10. Spring, main |
| 3. Spring, conical | 11. Toggle |
| 4. Screw, pressure adjusting | 12. Lever |
| 5. Screw and nut, differential adjusting | 13. Plate, diaphragm |
| 6. Bar top | 14. Frame assembly |
| 7. Contact board assembly | 15. Enclosure |
| 8. Spring, equalizer | |

Figure 5-6. Pressure switch assembly.

6. COMPRESSOR PUMPS TOO SLOWLY.

- Step 1.** Check intake muffler to see if it is clogged.
- a.* Wipe off the outside of the muffler body.
 - b.* Using figure 5-7 as a guide, disassemble the intake muffler as follows:
 - (1) Remove wing nut (13), lower cover (14), screen (15), element (16), separator (17), plate (18), upper cover (19), ferrule (20), and T-stud (21).

Table 5-1. Troubleshooting (Cont'd)

MALFUNCTION**TEST OR INSPECTION****CORRECTIVE ACTION****WARNING**

Dry cleaning solvent P-D-680, used to clean parts, is potentially dangerous to personnel and property. Use in a well ventilated area as the fumes are dangerous if inhaled. Do not use near open flame or excessive heat. Flash point of solvent is 100°F. -138°F. (38°C. -59°C.).

(2) Wash all parts of the muffler and wipe dry. Wash element and blow dry with low compressed air.

(3) Inspect element for excessive wear or loss of capacity to retain dust and dirt. Replace a defective element.

c. Reassemble the intake muffler as follows:

(1) Install the T-stud (21), ferrule (20), upper cover (19), plate (18), separator (17), element (16), screen (15), lower cover (14), and wing nut (13).

(2) Tighten wing nut finger tight.

Step 2.

Check V-belts for proper adjustment. Also make a visual inspection of belts and condition to determine if the belts require removal for cleaning and deglazing. If deglazing appears necessary, remove the lock belt guard.

a. Loosen motor mounting screws (fig. 5-4) securing motor to receiver. Move motor toward compressor, then lift belts off of the pulleys.

WARNING

Dry cleaning solvent P-D-680, used to clean parts, is potentially dangerous to personnel and property. Use in a well ventilated area as the fumes are dangerous if inhaled. Do not use near open flame or excessive heat. Flash point of solvent is 100°F. -138°F. (38°C. -59°C.).

b. Use a cloth dampened in dry cleaning solvent P-D-680 to remove oil and dust film. If the belts appear to have been saturated, and the heat has glazed the surfaces of the Vee's, proceed as follows:

c. Use a medium grade of grit sand paper (not emery cloth) and rough up the surface with strokes of uneven direction.

d. Wipe off all grit particles. When surfaces have been deglazed, install the belts on pulleys.

NOTE

When installing new belts, never pry the belts over the pulley grooves.

e. To adjust the belts, move the motor away from the compressor until there is tension on the V-belts. Depress one of the V-belts midway between the pulley and flywheel; when the top lines up with the bottom of the belts next to it under normal thumb pressure the tension is correct.

CAUTION

Do not adjust the V-belts too tightly as this will overload motor and compressor bearings. Also check and be sure pulley alignment is maintained.

f. Tighten motor mounting bolts securely.

Step 2.

Check oil level in crankcase for low oil.

Remove fill plug in crankcase and fill to level in accordance with LO 54310-356-12.

Step 4.

Check for faulty intake and exhaust valves.

Section III. REPAIR AND OVERHAUL INSTRUCTIONS

AIR COMPRESSOR ASSEMBLY AND ELECTRIC MOTOR

5-4. Pistons, Piston Rings, Connecting Rods, and Cylinder Block.

a. Removal and Disassembly.

(1) Remove the compressor assembly as described in paragraph 4-14a.

(2) Refer to figure 5-7 and remove intake muffler assembly (12), by loosening set screw (11). To disassemble the intake muffler follow the sequence of the reference numbers shown on the exploded view.

(3) Refer to figure 5-9 and remove flywheel (8) by loosening nut (6) and bolt (7). Pull from crankshaft and remove key (9). Removing the flywheel at this point facilitates the disassembly of tubes and fittings.

(4) Refer to figure 5-7 and disconnect and remove all tubing and fittings. Follow any logical sequence in removing tubes and fittings. Take care in removing intercooler tubes so as not to damage cooling fins.

(5) Remove intake manifolds (23 and 25) and exhaust manifolds (29 and 31).

(6) Remove intake valves (32 and 34) and exhaust valves (33 and 35) from cylinder head valve cavities. If disassembly of valves is desired follow the sequence of reference numbers shown in figure 5-8.

CAUTION

Keep the parts of each valve assembly together, and separate from those of other valve assemblies. If serviceable, these parts shall be installed together.

(7) Remove cylinder capscrews (36, fig. 5-7) and remove cylinder head (37) by pulling straight away from crankcase. Do not cock or twist or use undue lateral force against cylinder to avoid damage to the pistons and connecting rods. Remove gasket (38) and discard.

(8) Access to connecting rod attaching bolts (10, fig. 5-9) is provided from above after cylinder head has been removed. Remove connecting rod bolts and withdraw lower connecting rod segment (16) from crankcase. Immediately tag lower cap segment to identify it with the exact rod from which it was removed.

Each rod half is matched when manufactured. Remove oil dipper (15) only if replacement is required.

CAUTION

Mark the connecting rod from which the caps were removed, and reassemble caps on the same rod. Do not intermix the connecting rods and caps.

(9) Disassemble rods (16) from pistons (13 and 18) by removing piston pin retaining rings (11) and piston pins (12 and 17).

NOTE

Do not remove piston pin bearings (14) from rods unless replacement is required.

b. Cleaning, Inspection and Repair.

(1) Clean all parts with an approved cleaning solvent and dry thoroughly.

(2) Inspect the cylinder block for broken cooling fins and cracks. Inspect the cylinder bore for wear, scoring, pitting or other damage. Replace the block if defective. Refer to Table 5-2 for allowable wear tolerances.

(3) Measure the clearance of the piston pin to the piston pin bushing. Check for proper fit. Align or replace connecting rods, if necessary.

(4) Place the piston rings in the cylinder bore with the piston ring square in the cylinder bore about 0.5 inch (12.7 cm) from the top.

(5) If the ring gap is less than the specified width, file across butt ends of the rings to increase the gap to the required tolerance. If the ring gap is greater than required, replace the entire set of rings.

(6) Measure the ring groove in the piston for wear. Replace piston if necessary.

c. Reassembly and Installation.

(1) Refer to figure 5-9 and install piston pin bearings (14) into connecting rods (16) if previously removed. If new piston pin bearings are to be installed, and are not prefit, ream the bearings. Refer to Table 5-2 for recommended tolerances.

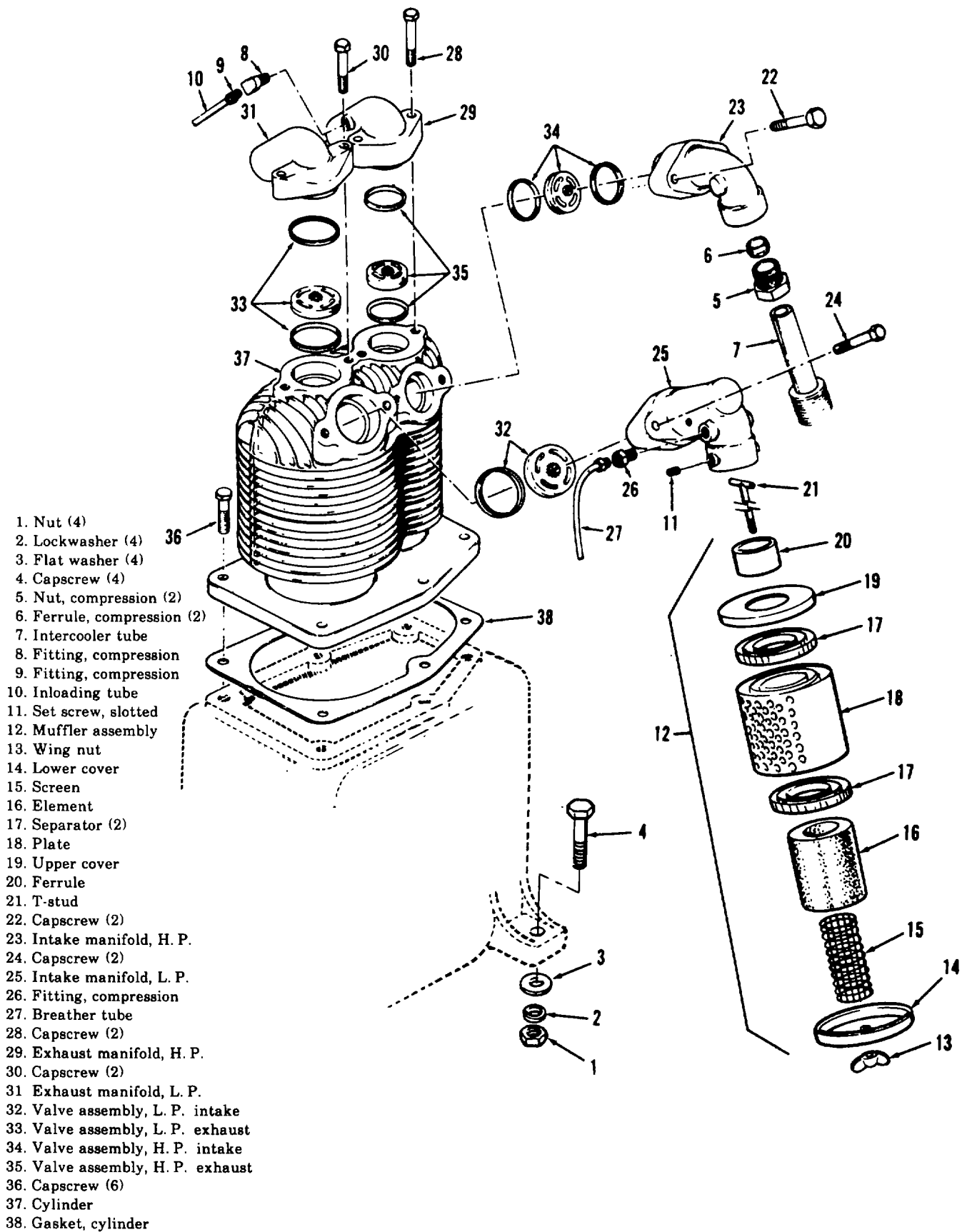
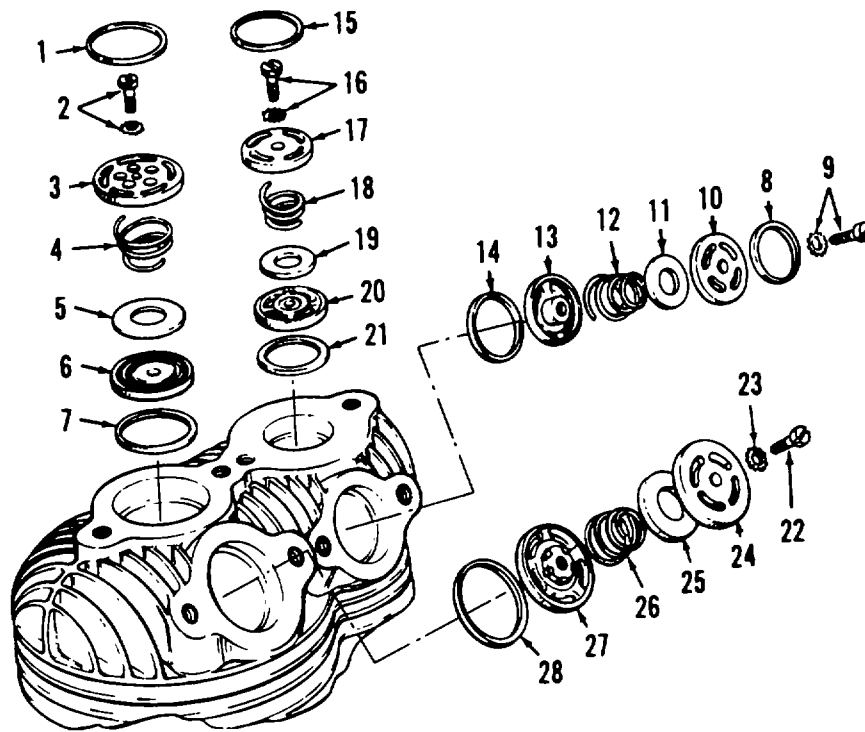


Figure 5-7 Crankcase assembly, cylinders, manifolds and related components, exploded view.



- | | |
|-------------------|--------------------|
| 1. Gasket, valve | 15. Gasket valve. |
| 2. Screw, machine | 16. Screw, machine |
| 3. Cage, exhaust | 17. Cage, exhaust |
| 4. Spring, valve | 18. Spring, valve |
| 5. Disc, valve | 19. Disc, valve. |
| 6. Seat, exhaust | 20. Seat, exhaust |
| 7. Gasket, valve | 21. Gasket, valve |
| 8. Gasket, valve | 22. Screw, machine |
| 9. Screw, machine | 23. Lockwasher |
| 10. Seat, intake | 24. Seat, intake |
| 11. Disc, valve | 25. Disc, valve |
| 12. Spring, valve | 26. Spring, valve |
| 13. Cage, intake | 27. Cage, intake |
| 14. Gasket, valve | 28. Gasket, valve |

Figure 5-8. Compressor valve assemblies, disassembly and reassembly.

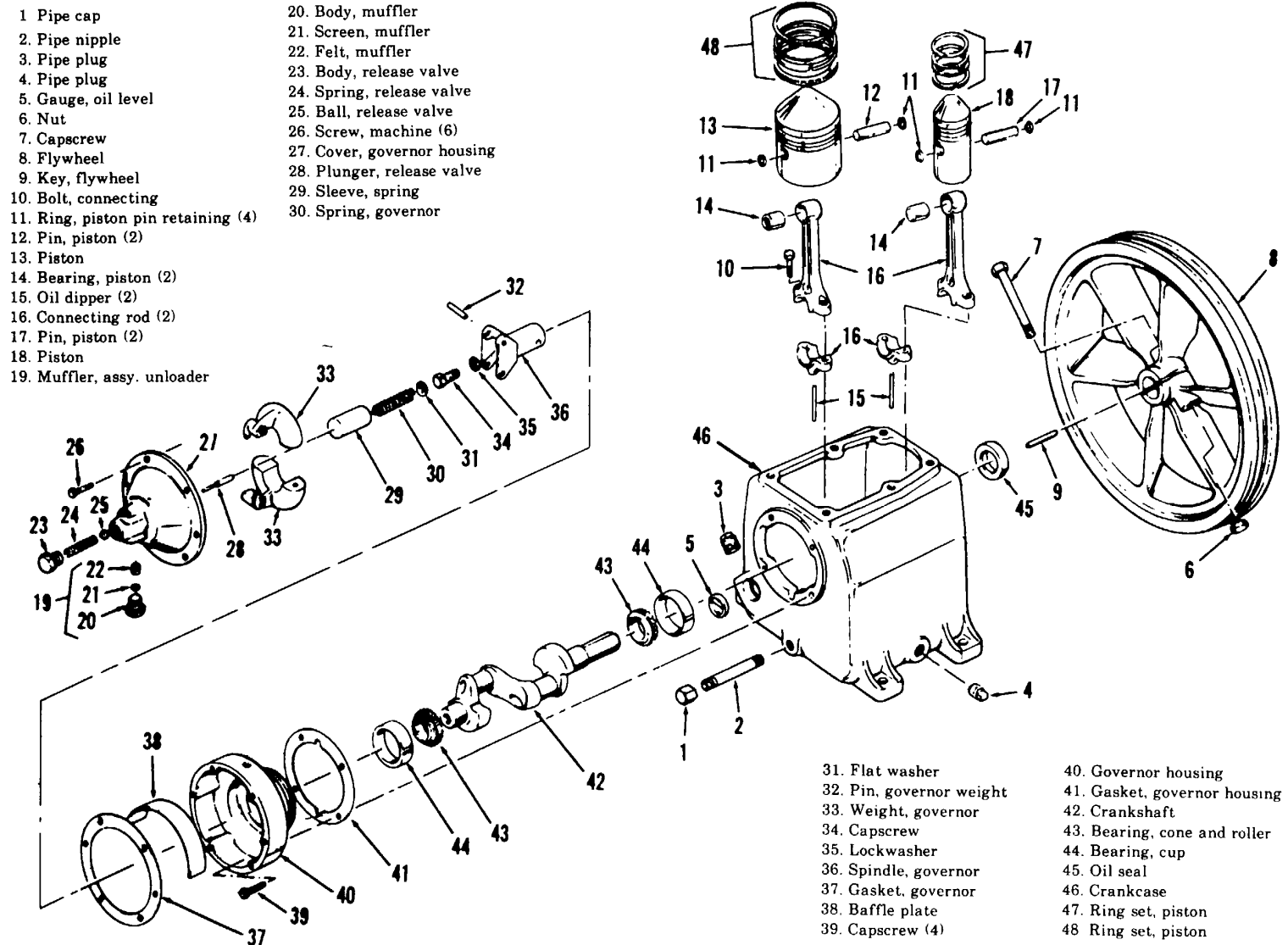


Figure 5-9. Crankcase, crankshaft, pistons, connecting rods and related assemblies, exploded view.

Table 5-2. Compressor Repair and Replacement Standards

Component	Manufacturer's dimensions and tolerances in U.S. and Metric measurements		Desired clearance		Maximum allowable wear and clearance
	Minimum	Maximum	Minimum	Maximum	
Cylinders					
Bore, low pressure	4.6245 (11.7462)	4.6255 (11.7488)			0.004 (0.6350)
Bore, high pressure	2.4995 (6.3488)	2.5005 (6.3513)			0.002 (0.0008)
Out-of-round					0.001 (0.0025)
Taper					0.001 (0.0025)
Crankshaft					
Journal (rod) size	1.623 (4.1149)	1.625 (4.1275)			
Taper					(0.0025)
Out-of-round					0.005 (0.0127)
End play			0.000	0.002 (0.0051)	
Pistons and Pins					
Piston, low pressure	4.619 (11.7323)	4.620 (11.7348)	0.003 (0.0076)	0.005 (0.0127)	0.005 (0.0127)
Piston, high-pressure	2.4965 (6.3411)	2.4975	0.0015	0.003 (0.0076)	0.003 (0.0076)
Pin, low pressure	0.8125 (2.0638)	0.8128 (2.0645)	0.0000	0.0005 (0.0013)	
Pin, high-pressure	0.8125 (2.0638)	0.8128 (2.0645)	0.0000	0.0005 (0.0013)	
Bearings Connecting Rod					
Bearing, I. D.	0.8125 (2.0606)	0.8130 (2.0650)	0.0901 0.0025)	0.007 (0.0178)	
Bearing side clearance			0.010 (0.0254)	0.017 (0.0432)	

NOTE

The manufacturer's dimensions and tolerances are given in U.S. and Metric measurements. All Metric units are enclosed in brackets.

(2) Fit connecting rod into high pressure piston (18) and secure with piston pin (17). Secure piston pin with retaining rings (11). Assemble low pressure piston (13) in a similar manner.

(3) Install piston ring set (48) on the low pressure piston and ring set (47) on the high pressure piston. When installing piston rings expand them carefully and sufficiently to allow the ring to slide freely over the piston to the proper position. Starting with the bottom ring, install piston ring in their proper grooves. Stagger ring gaps so that they are not listed up.

(4) Position of the connecting rod bearing surface to the crankshaft is accomplished from the top of the crankcase by reaching down along side connecting rod to install lower element of connecting rod. Prior to attaching lower element of connecting rods (16) press in oil dipper (15) if they were removed. Use attaching bolts (10) and torque to 25 ft. lbs. torque.

(5) Lubricate each piston and connecting rod assembly with a light coat of engine oil before installing cylinder block. Invert cylinder head (37, fig.5-7) with piston ring clamps secured around the assembled pistons and insert pistons into cylinder.

(6) Carefully assemble the cylinder to the crankcase, after first installing cylinder flange gasket (38). Secure cylinder to crankcase with capscrews (36) torque limits of 45 ft.-lbs. torque.

(7) Normally, the intake (32 and 34) and exhaust (33 and 35) valves are replaced as an assembly if wear or malfunction occurs. In the event the valves were disassembled refer to figure 5-8 for reassembly. When reassembling intake and exhaust valves be sure to seat large diameter of the spring (4, 18, 12 and 26) in the cages (3, 13, 17 and 27) as shown.

(8) Install valves into valve cavities of cylinder. Install manifold assemblies (23, 25, 29 and 31) and tighten capscrews securely.

(9) Assemble intake muffler assembly (12, fig. 5-7) in the reverse order of the reference numbers shown on the exploded figure. Install muffler on low pressure intake manifold (25) and secure with set screw (11).

(10) Install tubes and fittings using any logical sequence, refer to figure 5-7 for guidance. Be sure to observe precautions in handling intercooler tube (7) so as not to damage cooling fins.

(11) After all tubes and fittings are installed,

assemble flywheel (8, fig. 5-9) to end of crankshaft with key (9) in place and secured by bolt (7) and nut (6).

(12) To install compressor assembly on tank refer to paragraph 4-14b.

5-5. Crankshaft and Crankcase

a. Removal and Disassembly.

(1) Remove cylinder, piston and connecting rod assemblies and flywheel as described in paragraph 5-4a.

(2) Refer to figure 5-9 and remove release cap valve body (23), lifting cap slowly away from governor housing cover to contain spring (6). Remove spring (6) and ball (25) and plunger (28). Remove governor housing cover (27) slowly from housing (40) to contain spring sleeve (29), main spring (30) and flat washer (31). Remove and discard gasket (37).

(3) Remove baffle plate (38). The governor weights (33) do not necessarily have to be removed from the spindle (36) unless damaged. Remove spindle (36) and housing (40). Housing (40) also houses the crankshaft main bearing assembly (43 and 44) and should be removed carefully to avoid damage to the bearing. Remove and discard gasket (41).

CAUTION

Before driving the crankshaft from the crankcase, be sure the connecting rod journals are in an upright position.

(4) Using a suitable puller remove bearing (43) from crankshaft (42). Remove oil seal (45) from crankcase (46) by pressing in from outside the crankcase on the flywheel side of the case.

(5) Do not remove the oil level gage (5) from the crankcase unless the gage is leaking or defective.

b. Cleaning, Inspection and Repair.

(1) Clean all parts in an approved cleaning solvent **and** dry thoroughly.

(2) Inspect the crankcase for cracks, scores, and distortion. Measure the crankcase journals for wear. If the connecting rod journals measure 0.005 inch (0.0127 cm) out-of-round, refer to Table 5-2, replace the crankshaft.

(3) Inspect the crankshaft bearings for rough, pitted, or scored rollers. Replace a defective bearing.

(4) Inspect the crankcase for cracks, breaks or other defects. Replace the crankcase if defective.

c. Reassembly, and Installation.

(1) Insert new oil seal (45, fig. 5-9) into flywheel side of crankcase. Be sure seal is seated properly.

(2) Fit main bearing assembly (43 and 44) to flywheel end of crankshaft (42) and to governor end of crankshaft. Be sure both bearings are seated against stop on shaft. Insert flywheel end of crankshaft through the opening on the governor side of crankcase, through oil seal (45). Crankshaft must be inserted far enough for main bearing assembly to seat properly into crankcase bearing cavity.

(3) At this point assemble governor housing (40), to crankcase (46) leaving out the housing gaskets (41) at this time. Attach the housing to the crankcase with one capscrew at the top and one at the bottom. Be sure the main bearing (43 and 44) on the end of the crankshaft fits properly in housing. Set the two attaching screws finger tight. Using a feeler gauge measure the gap between housing and crankcase at top and bottom of the housing. Average the two dimensions and add 0.005-inch (0.0127 cm). This will determine the selection of gaskets (41) to use. A combination of gaskets should equal the total dimension above. Proper adherence to this procedure will minimize crankshaft end play.

(4) Remove housing from crankcase and install housing gaskets as determined above. Install housing and secure with attaching hardware to torque of 25 ft.-lbs. torque.

(5) Reassemble governor weights (33) to spindle (36) with weight pins (32) if they were removed. Install spindle in the housing (40) with capscrew (34) and lock washer (35).

(6) Insert flat washer (31) into spindle to cover capscrew head. Insert main spring (30) and spring sleeve (29). Assemble baffle (38) inside and at the top of the housing (40), then attach cover gasket (37) and cover (27) with capscrews (26). Be sure that spring sleeve and spring have not been dislodged. Assemble release valve plunger (28), ball (25), spring (24), and body (23), install into cover (27). Secure by screwing in release valve body (23) into cover (27).

(7) Reassemble and install flywheel, piston and connecting rod assemblies, and cylinder as described in paragraph 5-4c.

5-6. Electric Motor.

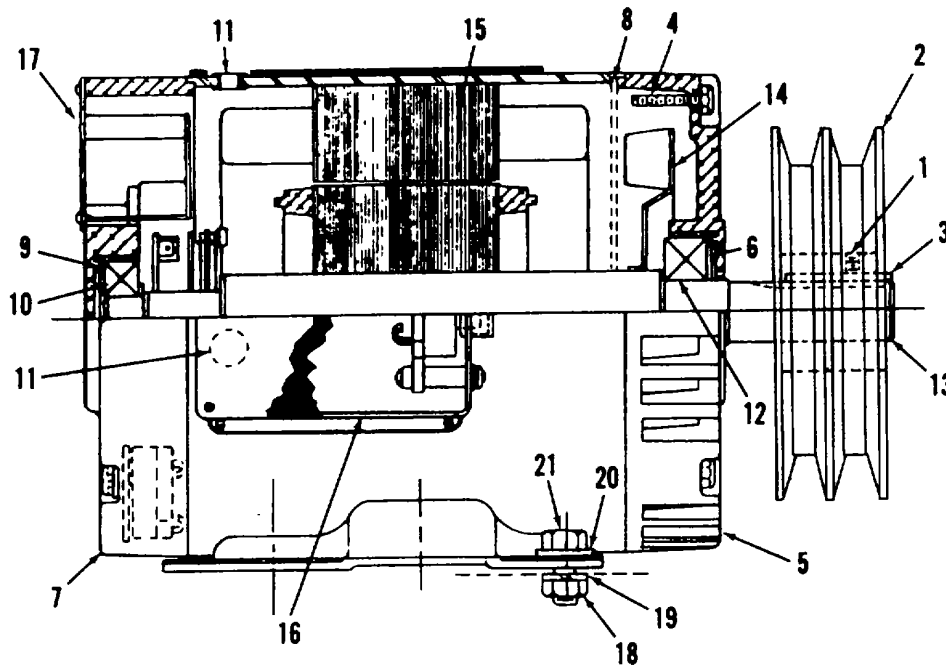
a. Removal and Disassembly.

(1) Refer to paragraph 4-13 and remove the electric motor.

(2) Refer to figure 5-10 and remove setscrew (1), pulley (2), and key (3).

(3) Remove four bolts (4) shaft end, end bell (5), opposite end, end bell (7), shaft end bearing (12), opposite shaft end bearing (10), wavy spring (6), fan (14).

(4) Remove rotor assembly (13) from stator and frame (15)



- | | |
|----------------------|------------------------|
| 1. Set screw, socket | 12. Bearing, rear |
| 2. Pulley | 13. rotor/shaft assy. |
| 3. Key | 14. Fan |
| 4. Bolt, thru (4) | 15. Frame/stator assy |
| 5. Endbell, rear | 16. Box, conduit |
| 6. Spring, wavy | 17. Cover, conduit box |
| 7. Endbell, front | 18. Nut (4) |
| 8. Baffle | 19. Lockwasher (4) |
| 9. Shim | 20. Flat washer (4) |
| 10. Bearing, front | 21. Capscrew (4) |
| 11. Bushing | |

Figure 5-10. Electric motor assembly.

b. Cleaning, Inspection and Repair.

(1) Clean all parts except rotor, bearings and stator in an approved cleaning solvent and wipe dry with a lint free cloth.

(2) Use compressed air to clean dust and dirt off rotor, bearings, and stator, then wipe with a cloth dampened in an approved cleaning solvent.

(3) Inspect bearings and rotor shaft for excessive wear, and rough or scored surfaces. Replace defective bearings. Replace a defective rotor shaft.

c. Reassembly and Installation.

(1) Refer to figure 5-10 and install rotor assembly (13) into stator and frame 815).

(2) Install fan (14), wavy spring (6), opposite shaft end bearing (10), shaft end bearing (12), opposite end, end bell (7), shaft end, end bell (5), and secure with the four bolts (4).

(3) Refer to paragraph 4-13 and install electric motor assembly.

5-7. Magnetic Starter.

a. Removal and Disassembly.

(1) Refer to figure 5-11 and remove the magnetic starter as shown.

(2) Refer to figure 5-12 and remove contact cap (12), contact kit (13), contact carrier (14), operating coil (15), coil heater (16), overload relay (17), and interlock assembly (18).

b. Cleaning, Inspection and Repair.

(1) Use compressed air and remove all dust or dirt from magnetic starter components.

(2) Check continuity of heater coil, operating coil, relay overload, contact carrier and interlock assembly. Replace defective parts.

(3) Check on-off switch continuity and stem action. Replace a defective on-off switch.

c. Reassembly and Installation.

(1) Refer to figure 5-12 and reassemble interlock assembly (18), overload relay (17), coil heater (16), operating coil (15), contact carrier (14), contact kit (13) and contact cap (12).

(2) Refer to figure 5-11 and install the magnetic starter in reverse order of the removal procedure.

5-8. Air Pressure Switch.

a. Removal and Disassembly.

(1) Refer to figure 5-13 and remove the pressure switch as shown.

(2) Remove cover (1, fig. 5-14), pressure adjusting screw (4), differential adjusting screw and nut (5), top bar (6), equalizer spring (8), main spring (9), conical spring (3), contact board assembly (7), toggle spring (10), toggle (11), lever (12), diaphragm plate (13) and diaphragm (2) from frame assembly (14).

b. Cleaning, Inspection and Repair.

(1) Use compressed air and remove all dust and dirt from pressure switch components, then

wipe with a cloth dampened in an approved cleaning solvent.

(2) Inspect the contact board contacts for pitting or burning.

(3) Inspect diaphragm for cracks or breaks and general condition.

(4) Inspect all threaded parts for damaged or defective threads.

(5) Repair or replace damaged or defective parts as necessary.

c. Reassembly and Installation.

(1) Refer to figure 5-14 and reassemble diaphragm (2), diaphragm plate (13), lever (12), toggle (11), toggle spring (10), contact board assembly (7), conical spring (30), main spring (9), equalizer spring (8), top bar (6), in frame assembly (14), securing with differential adjusting screw and nut (5), and pressure adjusting screw (4). Install cover (1).

(2) Refer to figure 5-13 and install pressure switch reversing the removal procedure.

(3) Set air pressure adjustment as described in paragraph 5-9.

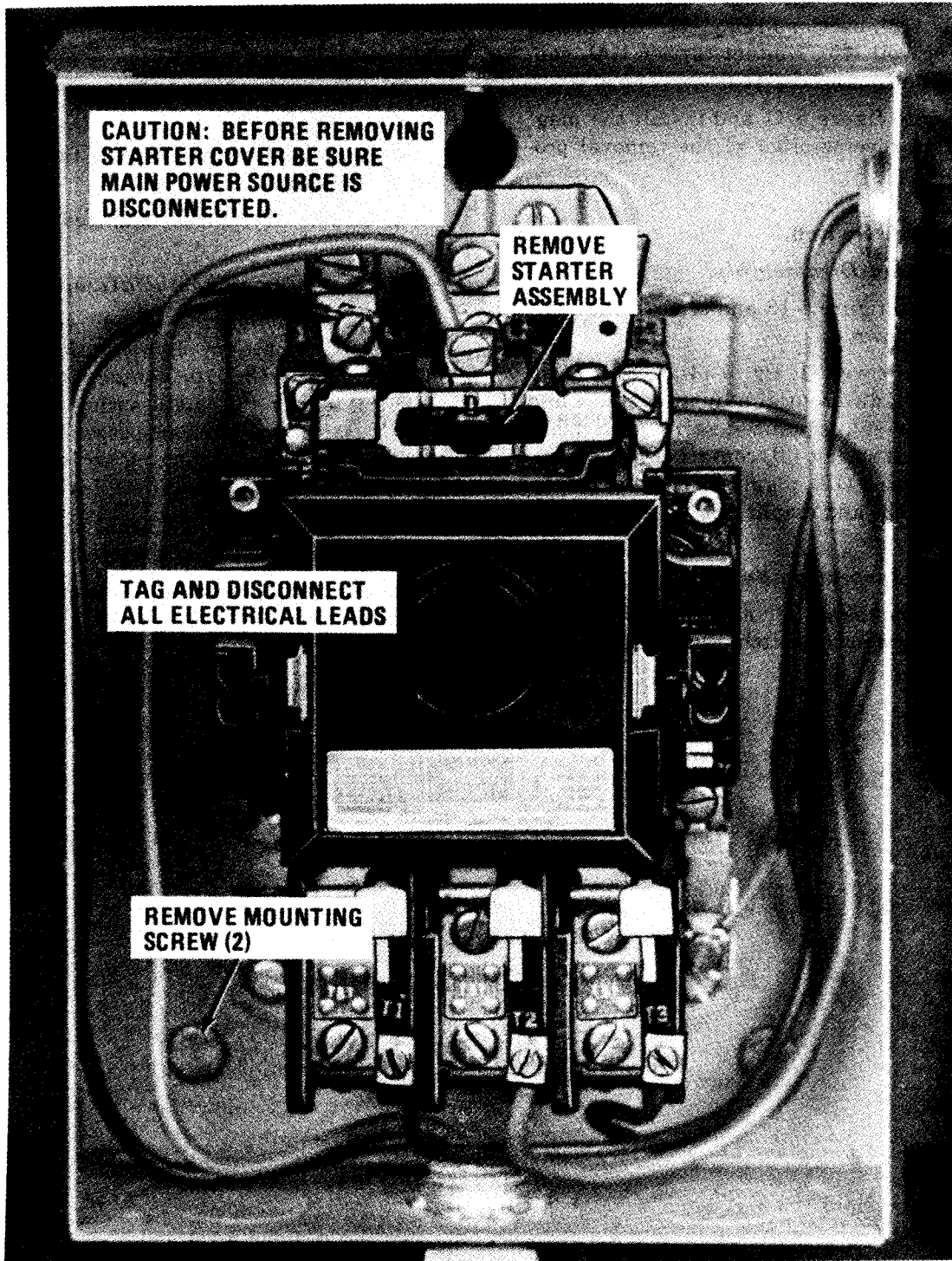


Figure 5-11. Magnetic starter, removal and installation (shown with cover removed).



Figure 5-13. Pressure switch assembly, removal and installation (shown with cover removed).

5-9. Air Pressure Adjustment.

a. Start the air compressor (para 2-2) to determine adjustment. The pressure switch is preset by manufacturer at 165 psi CUT-IN, and 190 psi CUTOUT setting. If adjustment is necessary shut off the outside power source.

b. Remove cover from pressure switch.

c. To raise the CUT-IN and CUT-OUT pressure turn the pressure adjusting screw clockwise. Refer to figure 5-15.

d. To decrease the difference between the CUT-IN and CUT-OUT pressure turn the pressure adjusting screw clockwise. Refer to figure 5-15.

e. To decrease the difference between the CUT-IN and CUT-OUT pressure, turn the differential screw counterclockwise. Refer to figure 5-15.

CAUTION

When adjusting the differential screw, do not turn it farther than it will turn easily.

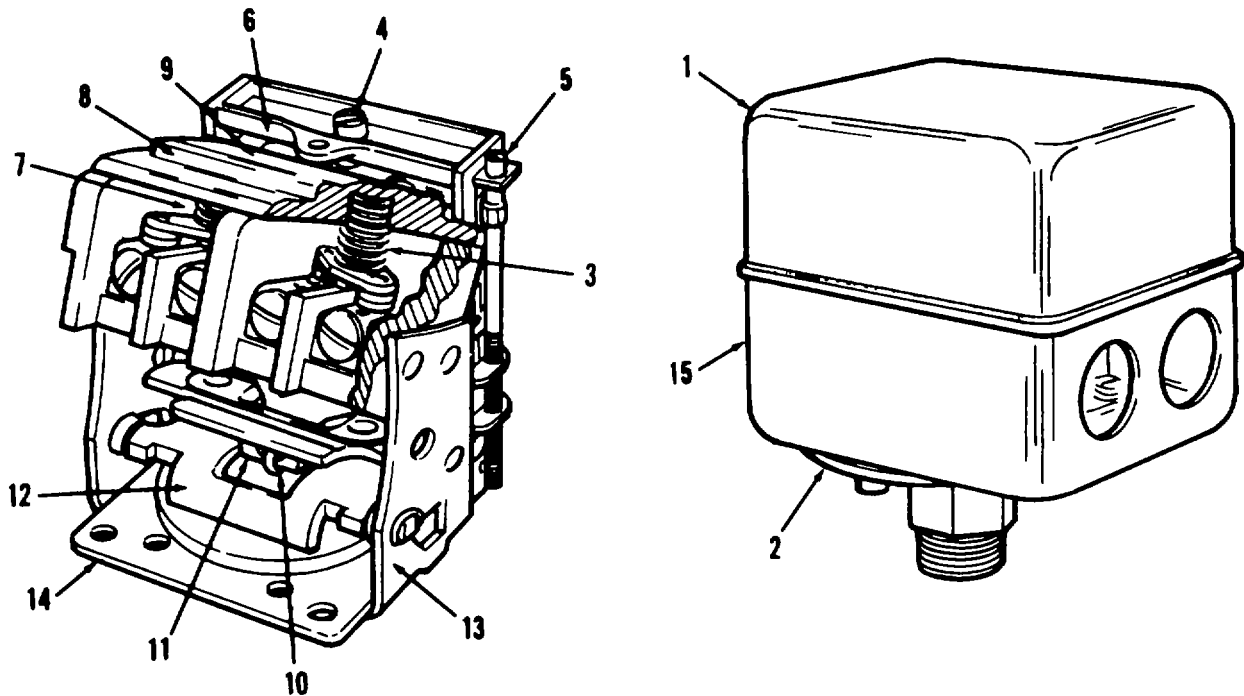
f. To increase the differential and maintain the same CUT-OUT pressure, turn the differential screw clockwise and, at the same time, turn the pressure adjusting screw counterclockwise.

NOTE

If the differential is increased only by turning the differential screw clockwise, the CUT-IN pressure changes only slightly, and the CUT-OUT pressure rises.

g. Turn on the outside power source to check the adjustment. To check the CUT-IN pressure, open the drain cock and allow air pressure to fall below 165 psi. Close the drain cock, and the compressor should start immediately.

h. Install the cover on the pressure switch.



- | | |
|--|----------------------|
| 1. Cover, enclosure | 9. Spring, main |
| 2. Diaphragm | 10. Spring, toggle |
| 3. Spring, conical | 11. Toggle |
| 4. Screw, pressure adjusting | 12. Lever |
| 5. Screw and nut, differential adjusting | 13. Plate, diaphragm |
| 6. Bar, top | 14. Frame assembly |
| 7. Contact board assy. | 15. Enclosure |
| 8. Spring, equalizer | |

Figure 5-14. Pressure switch assembly.

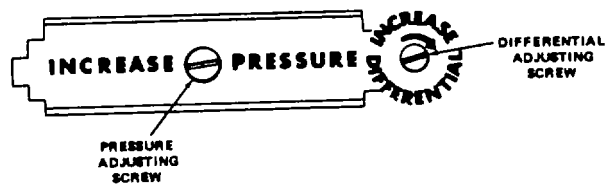


Figure 5-15. Pressure switch adjusting and differential screws.

APPENDIX A

REFERENCES

-
- A-1. Fire Protection**
TB 5-4200-200-10 Hand Portable Fire Extinguishers for Army Users.
- A-2. Lubrication**
C9100IL Fuels, Lubrication, Oil and Waxes.
- A-3. Painting**
TM 9-213 Painting Instructions for Field Use.
- A-4. Cleaning**
C6800IL Cleaning and Chemical Products.
- A-5. Maintenance**
TM 5-4310-356-24P Organizational, Direct Support, and General Support Maintenance Repair Parts and Special Tools List.
Compressor, Air, Reciprocating Electric Motor Driven, Receiver Mounted, 5 CFM at 175 PSI Model HR 2-6M-1 NSN 4310-01-040-7171.
TM 38-750 The Army Maintenance Management System.
- A-6. Shipment and Storage**
TB 740-93-2 Preservation of USAMEC Mechanical Equipment for Shipment and Storage.
TM 38-230-1 Preservation and Packing of Military Equipment.
TM 740-90-1 Administrative Storage of Equipment.
- A-7. Destruction of Material to Prevent Enemy Use**
TM 750-244-3 Destruction of Material to Prevent Enemy Use.

A-1/(A-2 blank)

APPENDIX B

COMPONENTS OF END ITEMS LIST

Section I. INTRODUCTION

B-1. Scope.

This appendix lists Integral Components of and Basic Issue Items (BII) for the Air Compressor to help you inventory items required for safe and efficient operation.

B-2. General.

The components of end item list are divided into the following sections:

a. Section II. Integral Components of the End Item. These items, when assembled, comprise the Air Compressor and must accompany it whenever it is transferred or turned in. These illustrations will help you identify these items.

b. Section III. Basic Issue Items. These are minimum essential items required to place the Air Compressor in operation, to operate it and to perform emergency repairs. Although shipped separately packed, they must accompany the Compressor during operation and whenever it is transferred between accountable officers. The illustrations will assist you with hard-to-identify items. This manual is your authority to requisition replacement BII based on Table(s) of Organization and Equipment (TOE)/Modification Table of Organization and Equipment (MTOE) authorization of the end item.

B-3. Explanation of Columns.

a. Illustration. This column is divided as follows:

- (1) **Figure Number.** Indicates the figure number of the illustration on which the item is shown (if applicable).
- (2) **Item Number.** The number used to iden-

tify item called out in the illustration.

b. National Stock Number (NSN). Indicates the national stock number assigned to the end item which will be used for requisitioning.

c. Part Number (P/N). Indicates the primary number used by the manufacturer which controls the design and characteristics of the item by means of its engineering drawings, specifications, standards and inspection requirements to identify an item or range of items.

d. Description. Indicates the federal item name and, if required, a minimum description to identify the item.

e. Location. The physical location of each item listed is given in this column. The lists are designed to inventory all items in one area of the major item before moving on to an adjacent area.

f. Usable on Code. "Usable On" codes are included to help you identify which component items are used on the different models. Identification of the codes used in this list are:

Code	Used On
MAA	Model HR2-6M-1

g. Quantity Required (Qty Reqd). This column lists the quantity of each item required for a complete major item.

h. Quantity. This column is left blank for use during inventory. Under the received column, list the quantity you actually receive on your major item. The date columns are for use when you inventory the major item at a later date, such as for shipment to another site.

Section II. INTEGRAL COMPONENTS OF END ITEM

(1) Illustration		(2)	(3)	(4)	(5)	(6)	(7)	(8) Quantity			
(a) Figure No.	(b) Item No.	National Stock Number	Part No. & FSCM	Description	Location	Usable On Code	Qty Reqd	Rev'd	Date	Date	Date
4-2		4720-00-874- 3179	Z538A (11568)	Hose Assy., Air		MAA	1				
4-2		4910-00-030- 2365	61J21506 (94894)	Gauge Assy., Inflator		MAA	1				

APPENDIX C

MAINTENANCE ALLOCATION CHART

Section I. INTRODUCTION

C-1. General.

a. This section provides a general explanation of all maintenance and repair functions authorized at various maintenance levels.

b. The Maintenance Allocation Chart (MAC) in Section II designates overall responsibility for the performance of maintenance functions on the identified end item or component. The implementation of the maintenance functions upon the end item or component will be consistent with the assigned maintenance functions.

c. Section III lists the special tools and test equipment required for each maintenance function as referenced from Section II.

d. Section IV contains supplemental instructions on explanatory notes for a particular maintenance function.

C-2. Maintenance Functions.

a. Inspect. To determine the serviceability of an item by comparing its physical, mechanical and/or electrical characteristics with established standards through examination.

b. Test. To verify serviceability and detect incipient failure by measuring the mechanical or electrical characteristics of an item and comparing those characteristics with prescribed standards.

c. Service. Operations required periodically to keep an item in proper operating condition, i.e., to clean (decontaminate), to preserve, to drain, to paint, or to replenish fuel, lubricants, hydraulic fluids, or compressed air supplies.

d. Adjust. To maintain, within prescribed limits, by bringing into proper or exact position, or by setting the operating characteristics to specified parameters.

e. Align. To adjust specified variable elements of an item to bring about optimum or desired performance.

f. Calibrate. To determine and cause corrections

to be made or to be adjusted on instruments or test measuring and diagnostic equipments used in precision measurement. Consists of comparisons of two instruments, one of which is a certified standard of known accuracy, to detect and adjust any discrepancy in the accuracy of the instrument being compared.

g. Install. The act of emplacing, seating, or fixing into position an item, part, or module (component or assembly) in a manner to allow the proper functioning of an equipment or system.

h. Replace. The act of substituting a serviceable like type part, subassembly, or module (component or assembly) for an unserviceable counterpart.

i. Repair. The application of maintenance services (inspect, test, service, adjust, align, calibrate, or replace) or other maintenance actions (welding, grinding, riveting, straightening, facing, remachining, or resurfacing) to restore serviceability to an item by correcting specific damage, fault, malfunction, or failure in a part, subassembly, module (component or assembly), and item, or system.

j. Overhaul. That maintenance effort (services/actions) necessary to restore an item to a completely serviceable/operational condition as prescribed by maintenance standards (i.e., DMWR) in appropriate technical publications. Overhaul is normally the highest degree of maintenance performed by the Army. Overhaul does not normally return an item to like new condition.

k. Rebuild. Consists of those services/actions necessary for the restoration of unserviceable equipment to a like new condition in accordance with original manufacturing standards. Rebuild is the highest degree of materiel maintenance applied to Army equipment. The rebuild operation includes the act of returning to zero those age measurements (hours/miles, etc.) considered in classifying Army equipments/components.

C-3. Column Entries Used in the MAC.

a. Column 1, Group Number. Column 1 lists

group numbers, the purpose of which is to identify components, assemblies, subassemblies, and modules with the next higher assembly.

b. Column 2, Component/Assembly. Column 2 contains the names of components, assemblies, subassemblies, and modules for which maintenance is authorized.

c. Column 3, Maintenance Functions. Column 3 lists the functions to be performed on the item listed in column 2. (For detailed explanation of these functions, see paragraph B-2.)

d. Column 4, Maintenance Level. Column 4 specifies, by the listing of a work time figure in the appropriate subcolumn(s), the lowest level of maintenance authorized to perform the function listed in column 3. This figure represents the active time required to perform the maintenance function at the indicated level of maintenance. If the number or complexity of the tasks within the listed maintenance function vary at different maintenance levels, appropriate work time figures will be shown for each level. The number of man-hours specified by the work time figure represents the average time required to restore an item (assembly, subassembly, component, module, end item, or system) to a serviceable condition under typical field operating conditions. This time includes preparation time, troubleshooting time, and quality assurance/quality control time in addition to the time required to perform the specific tasks identified for the maintenance functions authorized in the maintenance allocation chart. The symbol designations for the various maintenance levels are as follows:

- C Operator or crew
- O Organization maintenance
- F Direct support maintenance
- H General support maintenance
- D..... Depot maintenance

e. Column 5, Tools and Equipment. Column 5 specifies, by code, those common tool sets (not individual tools) and special tools, test, and support equipment required to perform the designated function.

f. Column 6, Remarks. This column shall contain a letter code in alphabetical order which shall be keyed to the remarks contained in Section IV.

C-4. Column Entries Used in Tool and Test Equipment Requirements.

a. Column 1, Tool or Test Equipment Reference Codes. The tool and test equipment reference code correlates with a maintenance function on the identified end item or component.

b. Column 2, Maintenance Level. The lowest level of maintenance authorized to use the tool or test equipment.

c. Column 3, Nomenclature. Name or identification of the tool or test equipment.

d. Column 4, National/NATO Stock Number. The National or NATO stock number of the tool or test equipment.

e. Column 5, Tool Number. The manufacturer's part number.

C-5. Explanation of Columns in Section IV.

a. Reference Code. The code scheme recorded in column 6, Section II.

b. Remarks. This column lists information pertinent to the maintenance function being performed as indicated on the MAC, Section II.

Section II. MAINTENANCE ALLOCATION CHART

(1) Group Number	(2) Component/ Assembly	(3) Maintenance Function	(4) Maintenance Level					(5) Tools and Equipment	(6) Remarks
			C	O	F	H	D		
01	Belt Guard Assembly	Inspect	0.1						
		Replace		0.5					
	V Belts	Service		0.1					
		Replace		0.5					
02	Electric Motor	Service	0.3						
		Replace		1.0					
	Rotor Assembly	Inspect			0.1				
		Replace			2.0				
Starter Assembly Magnetic	Inspect			0.1					
	Replace			1.0					
Pressure Switch Assembly	Adjust			0.5					
	Replace			0.8					
03	Air Compressor Assembly	Inspect	0.3						
		Replace		1.5					
	Air Compressor	Repair			4.0				
		Overhaul				8.0			
	Valve, Pilot	Adjust	0.3						
		Replace		0.5					
	Filter Inlet	Service	0.3						
Replace			0.2						
Rod Assembly	Inspect			0.2					
	Replace			3.0					
Crankshaft	Inspect			0.2					
	Replace			3.0					
04	Receiver Air Receiver Tank and related parts	Inspect	0.2						
		Service	0.2						
		Replace			8.0				

APPENDIX D

ADDITIONAL AUTHORIZATION LIST

Section I. INTRODUCTION

D-1. Scope.

This appendix lists additional items you are authorized for the support of the Air Compressor.

D-2. General.

This list identifies items that do not have to accompany the Air Compressor and that do not have to be turned in with it. These items are authorized to you by CTA, MTOE, TDA or JTA.

D-3. Explanation of Listing.

National stock number, descriptions, and quantities are provided to help you identify and request the additional items you require to support this equipment. "USABLE ON" codes are identified as follows:

CODE	USED ON
MAA	Model HR2-6M-1

Section II. ADDITIONAL AUTHORIZATION LIST

(1) NATIONAL STOCK NUMBER	(2) PART NUMBER & FSCM	DESCRIPTION	(3) USABLE ON CODE	(4) U/M	QTY AUTH
7520-00-559-9618	Cotton Duck Case		MAA	EA	1
7510-00-889-3494	Log Book Binder		MAA	EA	1

D-1/(D-2 blank)

ALPHABETICAL INDEX

	Paragraph	Page
A		
Administrative storage	1-5	1-1
Air compressor.....	3-10	3-9
Air hose assembly.....	4-4	4-1
Air intake mufflers.....	3-11, 4-17	3-9, 4-8
Air pressure adjustment	5-9	5-24
Air pressure switch.....	5-8	5-21
Air receiver	3-12	3-10
Army material, destruction of	1-4	1-1
B		
Belt guard assembly.	3-7	3-7
C		
Compressor assembly.....	4-14	4-6
Connecting incoming power source	4-5	4-2
Controls and instruments	2-1	2-1
Crankshaft and crankcase.....	5-5	5-18
D		
Data, tabulated	1-9	1-5
Description.....	1-6	1-2
Destruction of Army material.....	1-4	1-1
Drain cock.....	2-1	2-1
E		
Electric motor	4-13, 5-6	4-6, 5-19
F		
Forms and records, maintenance of	1-2	1-1
G		
Gage, air pressure	2-1	2-1
Grounding.....	4-5	4-2
I		
Identification	1-7	1-4
Inspection and servicing equipment	4-3	4-1
Installation	4-5	4-2
Installation of separately packed components	4-4	4-1
L		
Lubrication.....	3-2	3-1
M		
Maintenance forms and records.....	1-2	1-1
Maintenance, repair parts.....	4-7, 5-2	4-4, 5-1

Paragraph Page

O

Operating procedures:

Operation:

In extreme cold.....	2-3	2-2
In extreme heat	2-4	2-2
In dusty or sandy areas.....	2-5	2-2
In salt water or high humidity areas	2-6	2-2

P

Preventive maintenance checks and services.....	3-4, 4-9	3-4, 4-4
Pistons, piston rings, connecting rods, and cylinder block	5-4	5-13
Pressure switch.....	5-8	5-21

R

Repair parts, maintenance	4-7, 5-2	4-4, 5-1
Release valve assembly	4-16	4-8

S

Scope	1-1	1-1
Servicing equipment and inspecting	4-3	4-1
Special tools and equipment	4-6	4-4

T

Tabulated data.....	1-9	1-5
Troubleshooting	3-6	3-5

U

Unloading the air compressor.....	4-1	4-1
Unpacking the air compressor.....	4-2	4-1

V

V-belts	3-9, 4-15	3-9, 4-7
---------------	-----------	----------

By Order of the Secretary of the Army:

BERNARD W. ROGERS
General, United States Army
Chief of Staff

Official:

J. C. PENNINGTON
Brigadier General, United States Army
The Adjutant General

Distribution:

To be distributed in accordance with DA Form 12-25A, Operator maintenance requirements for Air Compressors, 15 CFM.

* U.S. GOVERNMENT PRINTING OFFICE: 1978-665-034/448

RECOMMENDED CHANGES TO EQUIPMENT TECHNICAL PUBLICATIONS



THEN...JOT DOWN THE
DOPE ABOUT IT ON THIS FORM.
CAREFULLY TEAR IT OUT,
FOLD IT AND DROP IT IN THE MAIL.

SOMETHING WRONG WITH PUBLICATION

FROM: (PRINT YOUR UNIT'S COMPLETE ADDRESS)

DATE SENT

PUBLICATION NUMBER	PUBLICATION DATE	PUBLICATION TITLE
--------------------	------------------	-------------------

BE EXACT PIN-POINT WHERE IT IS				IN THIS SPACE, TELL WHAT IS WRONG AND WHAT SHOULD BE DONE ABOUT IT.
PAGE NO.	PARA-GRAPH	FIGURE NO.	TABLE NO.	

PRINTED NAME, GRADE OR TITLE AND TELEPHONE NUMBER	SIGN HERE
---	-----------

TEAR ALONG PERFORATED LINE

FILL IN YOUR
UNIT'S ADDRESS

DEPARTMENT OF THE ARMY

OFFICIAL BUSINESS

BUSINESS REPLY MAIL

FIRST CLASS MAIL PERMIT NO.144 RED BANK, NJ

POSTAGE WILL BE PAID BY

**Commander
US Army Communications-Electronics Command
and Fort Monmouth
ATT: AMSEL-LC-LT
Fort Monmouth, New Jersey 07703-9988**

NO POSTAGE
NECESSARY
IF MAILED
IN THE
UNITED STATES

TEAR ALONG PERFORATED LINE



FOLD BACK

The Metric System and Equivalents

Linear Measure

1 centimeter = 10 millimeters = .39 inch
 1 decimeter = 10 centimeters = 3.94 inches
 1 meter = 10 decimeters = 39.37 inches
 1 dekameter = 10 meters = 32.8 feet
 1 hectometer = 10 dekameters = 328.08 feet
 1 kilometer = 10 hectometers = 3,280.8 feet

Weights

1 centigram = 10 milligrams = .15 grain
 1 decigram = 10 centigrams = 1.54 grains
 1 gram = 10 decigrams = .035 ounce
 1 dekagram = 10 grams = .35 ounce
 1 hectogram = 10 dekagrams = 3.52 ounces
 1 kilogram = 10 hectograms = 2.2 pounds
 1 quintal = 100 kilograms = 220.46 pounds
 1 metric ton = 10 quintals = 1.1 short tons

Liquid Measure

1 centiliter = 10 milliliters = .34 fl. ounce
 1 deciliter = 10 centiliters = 3.38 fl. ounces
 1 liter = 10 deciliters = 33.81 fl. ounces
 1 dekaliter = 10 liters = 2.64 gallons
 1 hectoliter = 10 dekaliters = 26.42 gallons
 1 kiloliter = 10 hectoliters = 264.18 gallons

Square Measure

1 sq. centimeter = 100 sq. millimeters = .155 sq. inch
 1 sq. decimeter = 100 sq. centimeters = 15.5 sq. inches
 1 sq. meter (centare) = 100 sq. decimeters = 10.76 sq. feet
 1 sq. dekameter (are) = 100 sq. meters = 1,076.4 sq. feet
 1 sq. hectometer (hectare) = 100 sq. dekameters = 2.47 acres
 1 sq. kilometer = 100 sq. hectometers = .386 sq. mile

Cubic Measure

1 cu. centimeter = 1000 cu. millimeters = .06 cu. inch
 1 cu. decimeter = 1000 cu. centimeters = 61.02 cu. inches
 1 cu. meter = 1000 cu. decimeters = 35.31 cu. feet

Approximate Conversion Factors

To change	To	Multiply by	To change	To	Multiply by
inches	centimeters	2.540	ounce-inches	newton-meters	.007062
feet	meters	.305	centimeters	inches	.394
yards	meters	.914	meters	feet	3.280
miles	kilometers	1.609	meters	yards	1.094
square inches	square centimeters	6.451	kilometers	miles	.621
square feet	square meters	.093	square centimeters	square inches	.155
square yards	square meters	.836	square meters	square feet	10.764
square miles	square kilometers	2.590	square meters	square yards	1.196
acres	square hectometers	.405	square kilometers	square miles	.386
cubic feet	cubic meters	.028	square hectometers	acres	2.471
cubic yards	cubic meters	.765	cubic meters	cubic feet	35.315
fluid ounces	milliliters	29.573	cubic meters	cubic yards	1.308
pints	liters	.473	milliliters	fluid ounces	.034
quarts	liters	.946	liters	pints	2.113
gallons	liters	3.785	liters	quarts	1.057
ounces	grams	28.349	liters	gallons	.264
pounds	kilograms	.454	grams	ounces	.035
short tons	metric tons	.907	kilograms	pounds	2.205
pound-feet	newton-meters	1.356	metric tons	short tons	1.102
pound-inches	newton-meters	.11296			

Temperature (Exact)

°F	Fahrenheit temperature	5/9 (after subtracting 32)	Celsius temperature	°C
----	------------------------	----------------------------	---------------------	----

